

# OPERATOR'S MANUAL

# CRAFTSMAN®

**MAX 1700 PSI\* @ 1.0 GPM  
1000 PSI @ 1.3 GPM\* MAX  
ELECTRIC PRESSURE WASHER  
WITH STEAM FUNCTION  
Model No. 580.750310**



**HOURS: Mon. - Fri. 8 a.m. to 5 p.m. (CT)**



## WARNING

Before using this product, read this manual and follow all Safety Rules and Operating Instructions.



## ADVERTENCIA

Antes de utilizar el producto, lea este manual y siga todas las Reglas de Seguridad e Instrucciones de Uso.

- Safety
- Assembly
- Operation
- Maintenance
- Parts
- Español, p. 20

\* This pressure washer is rated in accordance to the Pressure Washer Manufacturers Association (PWMA) standard PW101-2010 (Testing and Rating Performance of Pressure Washers).

\* Esta limpiadora a presión está clasificada conforme a la norma PW101-2010 (comprobación y clasificación de rendimiento de limpiadoras a presión) de la Asociación de fabricantes de bombas a presión (Pressure Washer Manufacturers Association, PWMA).

**Sears Brands Management Corporation, Hoffman Estates, IL 60179 U.S.A.**  
**Visit our Craftsman website: [www.craftsman.com](http://www.craftsman.com)**

Part No. 80007183 Rev. A (12/05/2013)

# TABLE OF CONTENTS

WARRANTY .....	2	MAINTENANCE .....	13-15
SAFETY RULES .....	3-4	STORAGE .....	15
FEATURES AND CONTROLS .....	5	TROUBLESHOOTING .....	16
ASSEMBLY .....	6-9	REPLACEMENT PARTS .....	17
OPERATION .....	9-12	NOTES .....	18-19
SPECIFICATIONS .....	13	ESPAÑOL .....	20-35

## WARRANTY

### CRAFTSMAN ONE YEAR LIMITED WARRANTY

FOR ONE YEAR from the date of purchase, this product is warranted against defects in material or workmanship. With proof of purchase, a defective product will be replaced free of charge.

For warranty coverage details to obtain free replacement, visit the web page: [www.craftsman.com/warranty](http://www.craftsman.com/warranty)

This warranty does not cover spray guns, hoses, nozzle extensions, nozzles, spray tips or filters, which are expendable parts that can wear out from normal use within the warranty period.

This warranty is void if this product is ever used while providing commercial services or if rented to another person.

This warranty gives you specific legal rights and you may also have other rights which vary from state to state.

**Sears Brands Management Corporation, Hoffman Estates, IL 60179**

Not for  
Reproduction

# SAFETY RULES

## SAVE THESE INSTRUCTIONS



Read this manual carefully and become familiar with your pressure washer. Know its applications, its limitations, and any hazards involved.

## Important Safety Information

### Safety Symbols and Meanings



Read Manual



Electrical Shock



Fire



Slippery Surface



Fall



Fluid Injection



Projectile




Flying Objects




Steam Burn



Chemical Burn

 The safety alert symbol indicates a potential personal injury hazard. A signal word (DANGER, WARNING, or CAUTION) is used with the alert symbol to designate a degree or level of hazard seriousness. A safety symbol may be used to represent the type of hazard. The signal word **NOTICE** is used to address practices not related to personal injury.


 **DANGER** indicates a hazard which, if not avoided, *will* result in death or serious injury.

 **WARNING** indicates a hazard which, if not avoided, *could* result in death or serious injury.


 **CAUTION** indicates a hazard which, if not avoided, *could* result in minor or moderate injury.

**NOTICE** address practices not related to personal injury.


### For Servicing of a Double-Insulated Appliance, See Assembly Section.

 **WARNING** Risk of electrocution. Use of an extension cord could cause electric shock or burn resulting in death or serious injury.

- DO NOT use an extension cord with this electric pressure washer. Your home's electrical circuit receptacle or extension cord may not provide lifesaving ground-fault circuit-interruption protection.



 **WARNING** Risk of electrocution. Contacting both power conductors, at the same time could cause electric shock or burn resulting in death or serious injury.

- Connect only to a properly grounded outlet. DO NOT remove ground pin from plug.
- Inspect cord before each use, DO NOT use if cord is damaged.
- The product is equipped with a ground fault circuit interrupter (GFCI) built into the power cord plug. If replacement of the plug or cord is required, use only identical replacement parts.
- Keep all connections dry and off the ground.
- DO NOT touch plug with wet hands.
- DO NOT run cord through doorways, windows, holes in ceilings, walls, or floors.
- DO NOT walk on cord.
- DO NOT drive over, drag or place objects over cord.
- DO NOT spray near power source.

 **WARNING** Use of electric pressure washer could create puddles and slippery surfaces. Risk of kickback. Spray gun could kickback causing you to fall resulting in death or serious injury.

- Operate the electric pressure washer from a stable surface.
- Do not overreach or stand on unstable support. Keep good footing and balance at all times.
- The cleaning area should have adequate slopes and drainage to reduce the possibility of a fall due to slippery surfaces.
- Be extremely careful if you must use the electric pressure washer from a ladder, scaffolding, or any other similar location.
- Firmly grasp spray gun with both hands when using power spray modes to avoid injury when spray gun kicks back.

 **WARNING** Chemical Burn Hazard.

  Chemicals could cause burns resulting in death or serious injury.

- Always wear indirect vented (chemical splash) safety goggles marked to comply with ANSI Z87.1 when using chemicals.
- DO NOT substitute safety glasses or dry-condition goggles for indirect vented safety goggles.
- DO NOT use caustic liquid with electric pressure washer.
- Use ONLY pressure washer safe detergents/soaps. Follow all manufacturers instructions.



**WARNING** Risk of eye or bodily injury. Spray could splash back, propel objects or cause internal harm resulting in serious injury.



- Always wear indirect vented (chemical splash) safety goggles marked to comply with ANSI Z87.1 when using or in vicinity of this equipment. NEVER substitute safety glasses or dry-condition goggles for indirect vented safety goggles.
- Know how to stop the pressure washer and bleed pressure quickly. Be thoroughly familiar with the controls.
- DO NOT allow CHILDREN to operate the electric pressure washer.
- Keep operating area clear of all persons.
- Inspect high pressure hose before each use. NEVER repair high pressure hose; replace it.
- DO NOT repair leaking connections with sealant of any kind; replace o-rings and gaskets.
- Keep hose connected to electric pressure washer and spray gun while system is pressurized.
- ALWAYS point spray gun in safe direction while system is pressurized and squeeze spray gun trigger to release high pressure, every time you turn off the unit.
- DO NOT aim spray gun at people or animals.
- DO NOT drink from hose connected accessories.
- DO NOT secure spray gun in open position.
- DO NOT leave spray gun unattended while the electric pressure washer is in ON (I) position.
- DO NOT use a spray gun which does not have a trigger lock or trigger guard in place and in working order.
- Always be certain spray gun and accessories are correctly attached.
- Stay alert – watch what you are doing.
- DO NOT operate the product when fatigued or under the influence of alcohol or drugs.
- Close supervision is necessary when this product is used near children.



**WARNING** The high pressure stream of water that this equipment produces could cut through skin and its underlying tissues, resulting in serious injury and possible amputation.



- Spray gun traps high water pressure, even when motor is stopped and water is disconnected, which could result in serious injury.
- NEVER aim spray gun at people, animals, or plants.
  - ALWAYS point spray gun in safe direction, squeeze spray gun trigger to release high pressure, every time you turn off pressure washer.



**WARNING** Hot Surface and Steam Burn Hazard. Hot surfaces and steam produced by the steam gun could cause burns resulting in serious injury.



- DO NOT touch the steam jet or nozzle end with your hands during use.
- Allow equipment to cool before touching.
- ALWAYS point steam gun in safe direction while system is operating.
- DO NOT aim steam gun at people or animals.



**WARNING** Risk of fire. Spraying flammable liquids could result in death or serious injury.



- DO NOT spray flammable liquids.



**WARNING** Risk of fire. Overheated cord could result in death or serious injury.



- Uncoil cord completely prior to use.
- DO NOT cover cord with any material.



**WARNING** This product contains lead and lead compounds, known to the State of California to cause birth defects or other reproductive harm. *Wash your hands after handling this product.*

**NOTICE** High pressure spray could damage fragile items including glass.

- DO NOT point spray gun at glass when using turbo spray tip.
- NEVER aim spray gun at plants.

**NOTICE** Improper treatment of electric pressure washer could damage it and shorten its life.

- If you have questions about intended use, ask dealer or contact authorized service center.
- DO NOT operate units with broken or missing parts, or without protective housing or covers.
- DO NOT by-pass any safety device on the electric pressure washer.
- DO NOT modify the electric pressure washer in any way.
- Before starting the electric pressure washer in cold weather, check all parts of the equipment to be sure ice has not formed there.
- DO NOT move the electric pressure washer by pulling on hoses. Move unit using the transport handle supplied.
- This equipment is designed to be used with Sears authorized parts **ONLY**. If equipment is used with parts that DO NOT comply with minimum specifications, user assumes all risks and liabilities.

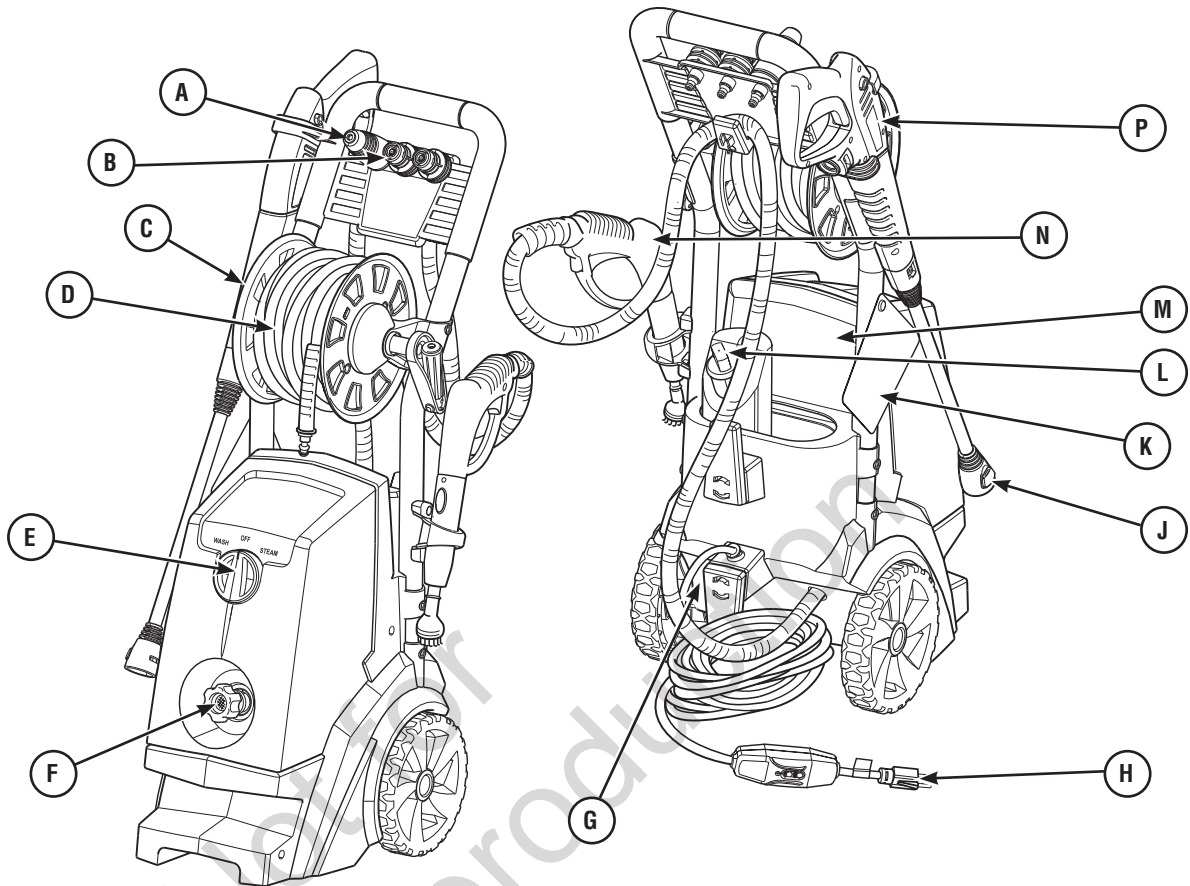
# FEATURES AND CONTROLS

## KNOW YOUR PRESSURE WASHER



**Read the Operator's Manual and safety rules before operating your pressure washer.**

Compare the illustrations with your pressure washer to familiarize yourself with the locations of various controls and adjustments. Save this manual for future reference.



- A - Turbo Spray Tip** — Whirls a powerful pin-point jet of water for intense cleaning.
- B - Spray Tips** — White tipped spray tip for general soap applications. Orange tipped spray tip is for various high pressure applications.
- C - Hose Reel** — Provides convenient storage for high pressure hose.
- D - High Pressure Hose** — Connect one end to high pressure water outlet on back of unit and the other end to spray gun.
- E - Master Switch** — Turn switch to WASH to turn pressure washer ON. Turn switch to STEAM to utilize the steam function. Turn switch to OFF to turn pressure washer or steam off.
- F - Water Supply Inlet** — Connect to water supply using a 50 ft. (15.24 m) maximum garden hose.
- G - High Pressure Water Outlet** — Connection for high pressure hose on back of unit.

- H - Electric Cord with GFCI** — The electric pressure washer and operator is protected by a ground fault circuit interrupter (GFCI).
- J - Plastic Wand** — Allows you to switch between three different spray tips.
- K - Warning Label** — Identifies hazards to be avoided when using your pressure washer.
- L - Water Bottle** — Fill with clean distilled water for steam function.
- M - Identification Label** — Provides model and serial number of pressure washer. Please have these readily available if calling for assistance.
- N - Steam Gun** — Controls the application of steam onto cleaning surface with trigger device. Includes trigger lock.
- P - Spray Gun** — Controls the application of water onto cleaning surface with trigger device. Includes trigger lock.

# ASSEMBLY

Your electric pressure washer requires some assembly but is quickly ready for use.

**If you have any problems with the assembly of your pressure washer, please call the pressure washer helpline at 1-800-222-3136.**

## UNPACK THE PRESSURE WASHER

1. Remove everything from carton.
2. Ensure you have all included items prior to assembly.

## CARTON CONTENTS

Check all contents. If any parts are missing or damaged, call the pressure washer helpline at **1-800-222-3136**.

- Main unit
- Handle with accessory tray
- Water bottle with cap
- Hose reel (left and right side)
- Hose reel handle
- Hose reel retainers (left and right side)
- Spray gun
- High pressure hose
- Plastic wand
- Quick connect tips (3)
- Parts bag (which includes the following):
  - Long screws (10)
  - Medium screws (5)
  - Short screw (1)
  - Washer
  - O-ring kit
  - Operator's manual
  - Owner's registration card

Become familiar with each piece before assembling the pressure washer. Identify all contents with the illustration on page 5. If any parts are missing or damaged, call the pressure washer helpline at **1-800-222-3136**.

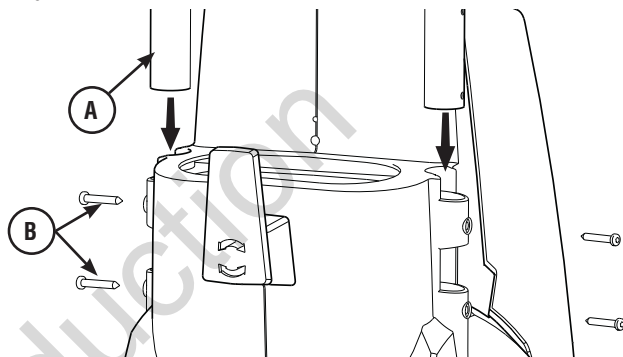
## ASSEMBLING PRESSURE WASHER

Your Craftsman pressure washer will need assembly before operation:

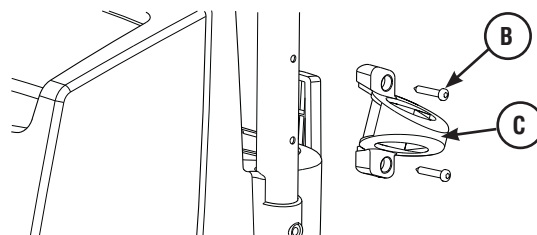
1. Fill out and send in registration card.
2. Assemble main unit (handle, bracket).
3. Assemble hose reel.
4. Lubricate o-rings.
5. Connect pressure hose to spray gun and pump.
6. Connect water supply to pump.
7. Attach plastic wand to spray gun.
8. Attach quick connect spray tip to plastic wand.

### Assemble Main Unit

1. Slide handle (A) into slots at top of main unit. Install two long screws (B) on each side to secure handle to main unit.

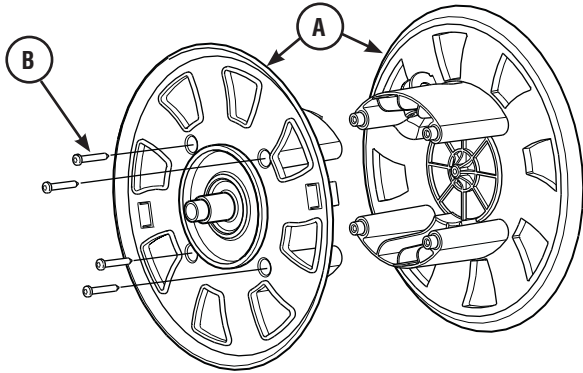


2. Secure steam gun bracket (C) to right side of handle (viewing from the front) using two long screws (B).

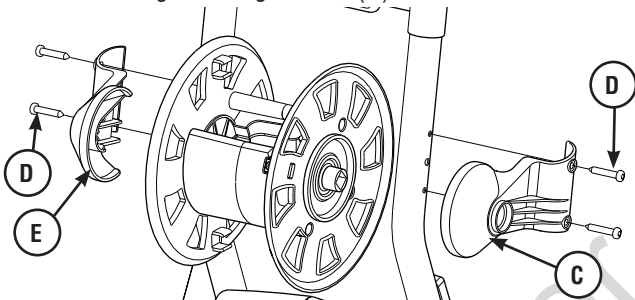


## Assemble Hose Reel

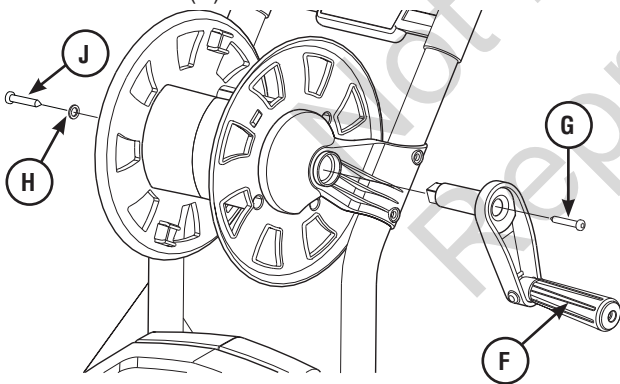
1. Assemble both halves of hose reel (**A**) and secure using four medium screws (**B**).



2. Place hose reel bracket (**C**) on right side of handle as shown, and secure using two long screws (**D**). Place hose reel in brackets and secure left side bracket (**E**) to handle using two long screws (**D**).



3. Slide handle (**F**) into hexagon hole of hose reel bracket (right side facing the front of unit) and secure using one medium screw (**G**).

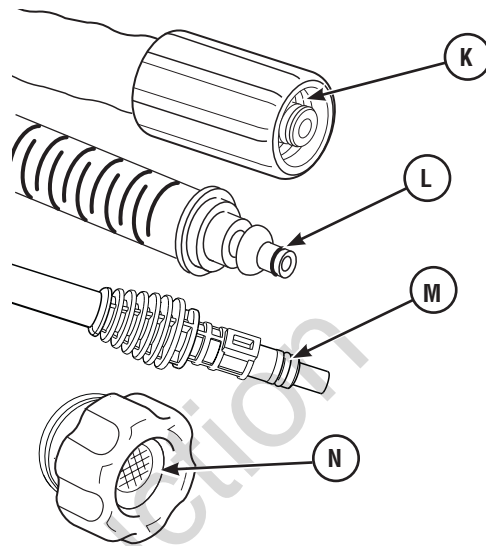


4. Secure left side (facing the front of the unit) of hose reel to bracket with washer (**H**) and short screw (**J**).
5. Insert one end of high pressure hose into opening of hose reel.
6. Turn handle to wind hose around hose reel.

## Lubricate O-Rings

Lubrication of o-rings is extremely important for installation and operation. The use of a lubricant (petroleum or synthetic grease) during assembly helps seat o-rings properly and provides an improved seal. It also helps protect the o-ring from damage by abrasion, pinching or cutting and extends the life of the o-ring.

**NOTICE** ALWAYS apply a small amount of lubricant on o-rings prior to assembling the high pressure hose (pump end) (**K**), high pressure hose (gun end) (**L**), plastic wand (gun end) (**M**), and garden hose to the pump (**N**).



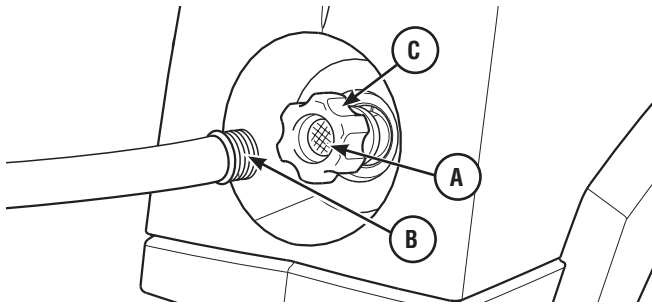
**Lubricate all connections shown above, following these instructions:**

1. Inspect and clean connecting surfaces prior to lubrication and assembly.
2. Use lubricants sparingly during assembly; a light film is all that is required.
3. Use a small brush or cotton swab to apply grease directly to o-rings where they are not accessible (QC fitting, M22 fitting).

## Connect Hoses and Water Supply

**NOTICE** Use ONLY cold water (less than 100°F).

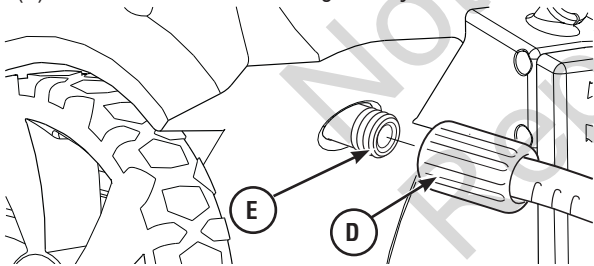
1. Attach garden hose (50 ft. / 15.24 m maximum) to water supply.
2. Run water through garden hose for 30 seconds to flush the hose of debris. Turn off water.
3. Confirm that water inlet screen (A) is installed in water inlet located at front of unit; Do Not remove except for cleaning.



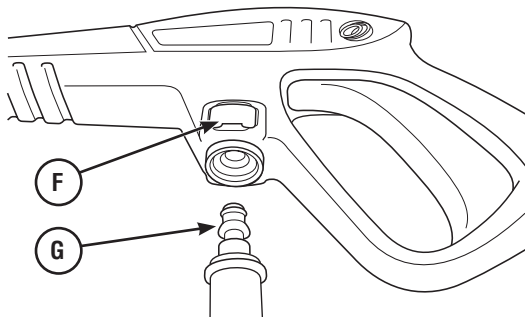
**NOTICE** If inlet screen is damaged or missing, DO NOT use electric pressure washer. Call **1-800-222-3136** for assistance.

**NOTICE** DO NOT run the pump without the water supply connected and turned on.

- Damage to equipment resulting from failure to follow this instruction will void warranty.
4. Attach opposite end of garden hose (B) to the water inlet coupling (C). Tighten by hand.
  5. Uncoil high pressure hose completely from hose reel.
  6. Attach high pressure hose (D) to the unit's water outlet (E) located at back of unit. Tighten by hand.

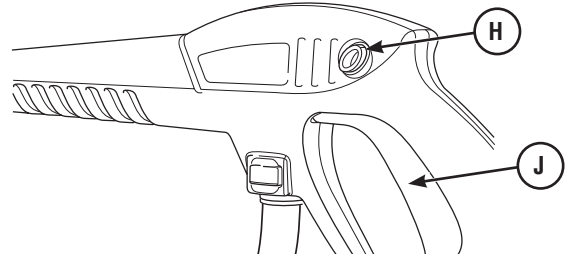


7. Attach opposite end of high pressure hose to the spray gun. Press red button (F) on spray gun, then insert end of high pressure hose (G) into gun until it SNAPS into place. Release the red button and make sure connection is secure.

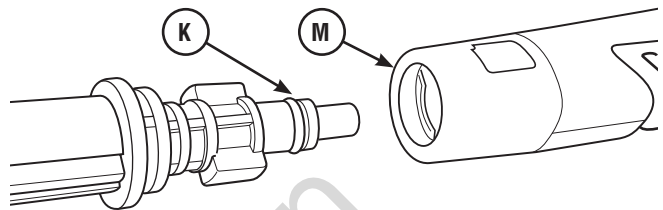


## Connect Wand and Spray Tip

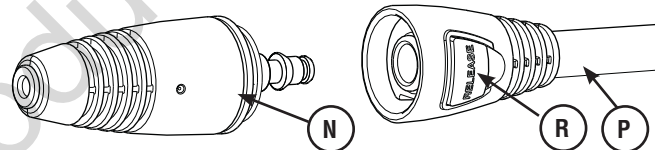
1. Turn ON water, point gun in a safe direction, press trigger lock button (H), then squeeze trigger (J) to purge pump system and spray gun of air and impurities.



2. Insert and twist plastic wand (K) into spray gun (M). Once wand slides into gun, apply further inward pressure to wand and twist 1/4 turn clockwise until securely in place.



3. Turn OFF water and release trigger. Point gun in a safe direction and make sure trigger cannot be squeezed.
4. Insert the spray tip (N) into plastic wand (P). Once spray tip slides into gun, apply further inward pressure until it SNAPS into place.



**NOTICE** To remove spray tip, press release button (R) on wand and pull it away from the wand.



## Checklist Before Starting Pump Motor

Review the unit's assembly to ensure you have performed all of the following.

1. Be sure to read *Operator Safety* and *Operation* before using the electric pressure washer.
2. Check for properly tightened hose connections.
3. Check to make sure there are no kinks, cuts, or damage to hoses.
4. Provide a proper water supply at an adequate flow (not to exceed 100°F).
5. Plug electrical power cord into an electrical circuit rated for 120 Volts AC at 15 Amps that is properly installed in accordance with all local codes and ordinances.

## Servicing Of A Double-Insulated Appliance

In a double-insulated product, two systems of insulation are provided instead of grounding. No grounding means is provided on a double-insulated product, nor should a means for grounding be added to the product. Servicing a double-insulated product requires extreme care and knowledge of the system, and should be done only by qualified service personnel. Replacement parts for a double-insulated product must be identical to the parts they replace. A double-insulated product is marked with the words "DOUBLE INSULATION" or "DOUBLE INSULATED."

The symbol  means DOUBLE-INSULATED APPLIANCE.

## Ground Fault Circuit Interrupter Protection


This pressure washer is provided with a ground-fault circuit-interrupter (GFCI) built into the plug of the power supply cord. This device provides additional protection from the risk of electric shock. Should replacement of the plug or cord become necessary, use only identical replacement parts that include GFCI protection.

# OPERATION

## HOW TO USE YOUR PRESSURE WASHER

If you have any problems operating your pressure washer, please call the pressure washer helpline at **1-800-222-3136**.

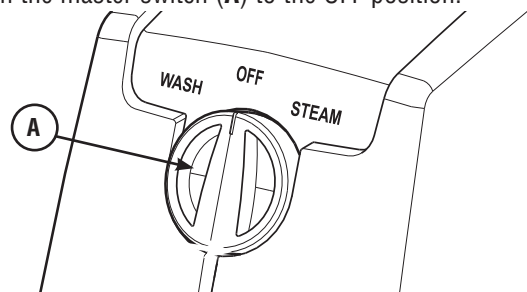
### How to Start Your Electric Pressure Washer

 **WARNING** Risk of eye injury. Spray could splash back or propel objects resulting in serious injury. Always wear indirect vented (chemical splash) safety goggles marked to comply with ANSI Z87.1 when using or in vicinity of this equipment. NEVER substitute safety glasses or dry-condition goggles for indirect vented safety goggles.

1. Place the electric pressure washer near an outside water source capable of supplying water at a flow rate greater than 3 gallons per minute (11.4 l) and no less than 20 psi (1.38 bars) at the electric pressure washer end of garden hose. DO NOT siphon supply water.
2. Connect garden hose to water inlet.
3. Check that high pressure hose is tightly connected to spray gun. See *Connect Hoses and Water Supply* for illustrations.

**NOTICE** DO NOT run the pump without the water supply connected and turned on.

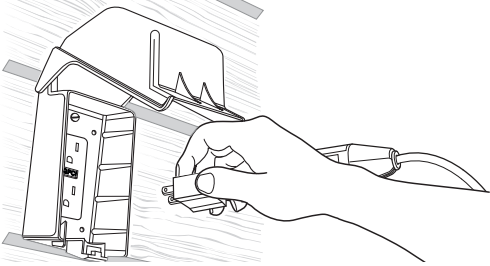
- Damage to equipment resulting from failure to follow this instruction will void warranty.
4. Turn ON water, point gun in a safe direction, press trigger lock button and squeeze trigger to purge pump system of air.
  5. Remove any dirt or foreign matter from spray tips. Install wand and spray tip onto spray gun. See *Connect Hoses and Water Supply* and *How to Use Spray Tips* for details.
  6. Turn the master switch (A) to the OFF position.



**⚠ WARNING** Risk of electrocution. Use of an extension cord could cause electric shock or burn resulting in death or serious injury.

- DO NOT use an extension cord with this electric pressure washer. Your home's electrical circuit receptacle or extension cord may not provide lifesaving ground-fault circuit-interruption protection.

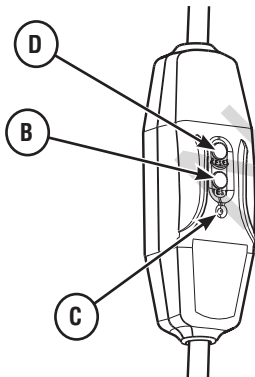
7. Plug electrical power cord into an electrical circuit rated for 120 Volts AC at 15 Amps that is properly installed and grounded in accordance with all local codes and ordinances. The indicator light on the GFCI should appear.



**NOTICE** The indicator light must be ON for the electric pressure washer to operate.

**⚠ WARNING** Risk of electrocution. Non-operating ground fault circuit interrupter (GFCI) could result in death or bodily injury. If indicator light does not stay ON after test and reset, do not use GFCI.

8. Press TEST button (B). The indicator light (C) should be OFF.



9. Press RESET button (D). The indicator light (C) should be ON.

**NOTICE** DO NOT use the electric pressure washer if above test fails.

10. Turn the master switch to the WASH position.
11. Point gun in a safe direction, press trigger lock button and squeeze trigger. The electric pressure washer motor will start and stop as spray gun trigger is depressed and released.

The electric pressure washer is now ready for use. Instructions for use of the supplied accessories are given later in this section.

## How to Stop Your Electric Pressure Washer

The electric pressure washer motor runs only when the trigger is engaged. To stop the electric pressure washer and turn off the motor:

1. Release spray gun trigger.
2. Turn the master switch to the OFF (0) position.

**NOTICE** Releasing the trigger will shut off the motor but does not shut off electrical power to the unit.

3. Turn off water supply.
4. ALWAYS point spray gun in a safe direction and squeeze spray gun trigger to relieve built up pressure in the unit.

**⚠ WARNING** The high pressure stream of water that this equipment produces could cut through skin and its underlying tissues, resulting in serious injury and possible amputation.

Spray gun traps high water pressure, even when motor is stopped and water is disconnected, which could result in serious injury.

- Keep high pressure hose connected to pump and spray gun while system is pressurized.
- ALWAYS point spray gun in safe direction, squeeze spray gun trigger to release high pressure, every time you turn off pressure washer.

5. Disconnect GFCI plug from outlet and coil power cord.
6. Disconnect high pressure hose from outlet and spray gun. Insert one end of hose in hose reel, coil and store.
7. Store spray gun, wand and accessories on the accessory tray.

## How to Use Spray Tips

You should now be familiar with how to START and STOP your electric pressure washer. If not, please refer to the previous section to familiarize yourself with STARTING and STOPPING the system before continuing.

There are three spray tips supplied with the pressure washer. The turbo spray tip whirls a powerful pin-point jet of water for intense cleaning. The white tipped spray tip is for general soap applications and the orange tipped spray tip is for various high pressure applications.

### Usage Tips

- For most effective cleaning, keep spray tip from 8 to 24 inches away from cleaning surface.
- If you get spray tip too close, especially using a high pressure setting, you may damage surface being cleaned.
- Do Not get closer than 6 inches when cleaning tires.

## Applying Detergent

**⚠ WARNING** Chemical Burn Hazard.

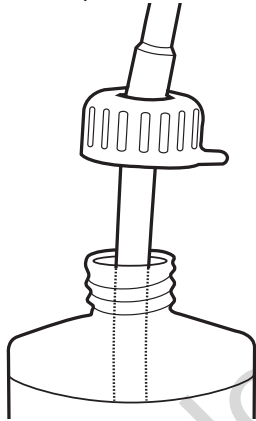


Chemicals could cause burns resulting in death or serious injury.

- Always wear indirect vented (chemical splash) safety goggles marked to comply with ANSI Z87.1 when using chemicals.
- DO NOT substitute safety glasses or dry-condition goggles for indirect vented safety goggles.
- DO NOT use caustic liquid with electric pressure washer.
- Use ONLY pressure washer safe detergents/soaps. Follow all manufacturers instructions.

### To apply detergent, follow these steps:

1. Review use of spray tips in *How to Use Spray Tips*.
2. Place Perfect Mix™ Extreme Concentrate bottle (not included) into tray on back of unit. Remove cap from bottle and insert the blue Perfect Mix siphon. Screw the siphon unit to the top of the bottle.



**NOTICE** USE ONLY Perfect Mix concentrate with your pressure washer. Use of any other non-concentrated solutions will not give you the results you expect.

3. Install white tipped spray tip.

**NOTICE** Detergent cannot be applied with turbo or orange spray tip.

4. Make sure garden hose is connected to water inlet. Check that high pressure hose is connected to spray gun and pump. Turn on water.

**NOTICE** You must attach all hoses before you start the pressure washer.

5. Start the pressure washer as instructed in *How to Start Your Electric Pressure Washer*.
6. Apply detergent to a dry surface, starting at lower portion of area to be washed and work upward using long, even, overlapping strokes.
7. Allow detergent to “soak in” for 3-5 minutes before washing and rinsing. Reapply as needed to prevent surface from drying. To prevent streaking, do not allow detergent to dry on surface.

## Electric Pressure Washer Rinsing

1. Remove white tipped spray tip from wand.
2. Install orange tipped spray tip.
3. Keep spray gun a safe distance from area you plan to spray.

**⚠ WARNING** Risk of kickback.



Spray gun could kickback causing you to fall resulting in death or serious injury.

- Operate the electric pressure washer from a stable surface.
  - Be extremely careful if you must use the electric pressure washer from a ladder, scaffolding, or any other similar location.
  - Firmly grasp spray gun with both hands when using power spray modes to avoid injury when spray gun kicks back.
4. Apply a high pressure spray to a small area and then check surface for damage. If no damage is found, you can assume it is okay to continue rinsing.
  5. Start at top of area to be rinsed, working down with same overlapping strokes as you used for cleaning.

### Other Cleaning Tips

- NEVER leave the electric pressure washer unattended while it is plugged into an electrical outlet and while water is supplied to the equipment.
- If you have the nozzle too far away from the surface being washed, the cleaning may not be as effective.

## How to Use the Steam Function

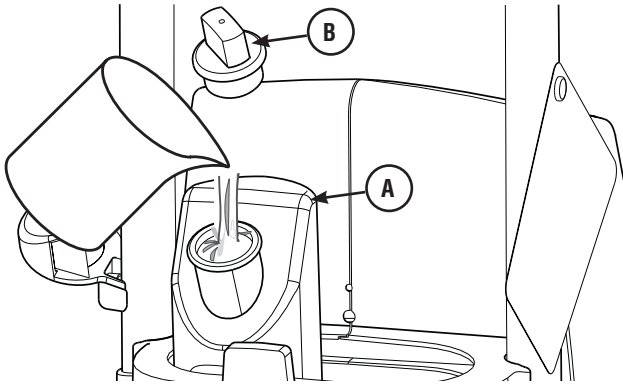
### Grounding Instructions

This product must be grounded. If it should malfunction or breakdown, grounding provides a path of least resistance for electric current to reduce the risk of electric shock. This product is equipped with a cord having an equipment-grounding conductor and a grounding plug. The plug must be plugged into an appropriate outlet that is properly installed and grounded in accordance with all local codes and ordinances.

**DANGER!** – Improper connection of the equipment-grounding conductor can result in a risk of electrocution. Check with a qualified electrician or service personnel if you are in doubt as to whether the outlet is properly grounded. Do not modify the plug provided with the product – if it will not fit the outlet, have a proper outlet installed by a qualified electrician. Do not use any type of adaptor with this product.

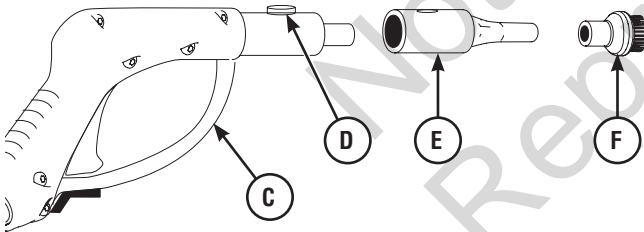
**NOTICE** Use ONLY distilled / demineralized water. DO NOT use any other liquids that could be flammable or could clog up the system.

1. Place water tank (A) into tray at back of unit.
2. Remove water tank cap (B) and fill tank with clean distilled / demineralized water.



**NOTICE** To ensure that your unit operates optimally and lasts a long time, use ONLY distilled / demineralized water. Limestone deposits could compromise the unit's normal operation (intermittent steam supply, water leaks from the relief valve, nozzle and supply pipe clogging). If this occurs, please contact Sears Customer Service.

3. Insert suction tube through hole from top of water tank cap.
4. Place suction tube and cap into water tank.
5. Make sure the shroud (E) and brush attachment (F) are installed on the steam gun (C). The shroud is secured by a spring loaded button (D) on the gun. Push this button in to install and remove the shroud. The brush attachment tightly slides over the shroud end.



**NOTICE** Garden hose and high pressure hose do not need to be connected to use the steam function.

6. Perform Steps 6 through 9 in *How to Start Your Electric Pressure Washer*.

**⚠ WARNING** Hot Surface and Steam Burn Hazard. Hot surfaces and steam produced by the steam gun could cause burns resulting in serious injury.

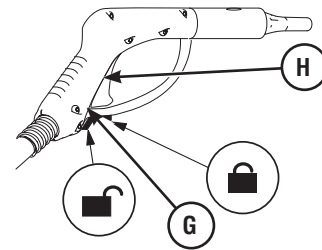
- DO NOT touch the steam jet or nozzle end with your hands during use.
- Allow equipment to cool before touching.
- ALWAYS point steam gun in safe direction while system is operating.
- DO NOT aim steam gun at people or animals.

7. Turn the master switch to the STEAM position and wait 20 seconds.

**NOTICE** When the trigger is first squeezed, a small amount of water may precede the steam. ALWAYS point steam gun in a safe direction.

**NOTICE** Never let the water in the tank run out completely. Refill the tank when the water level reaches 1/4 full. Operating the unit without water can damage the boiler feed pump.

8. Point gun in a safe direction, disengage trigger lock (G) and squeeze trigger (H). Steam will be released from the nozzle.



**NOTICE** The steam function is equipped with a pressure relief valve that releases hot water through a drain at the bottom of the unit in the event of pressure build-up.

# SPECIFICATIONS

## PRODUCT SPECIFICATIONS

### Pressure Washer Specifications

Max Outlet Pressure	.....1700 PSI@1.0 GPM*
Max Flow Rate	.....1000 PSI@1.3 GPM*
Detergent Mix	..... See MFR's Instructions
Water Supply Temperature	.... Not to exceed 100°F (38°C)
Motor	..... Universal (brush) Type
Rated Voltage	..... 120 Volts AC
Current	..... 12.5 Amps

\* This pressure washer is rated in accordance to the Pressure Washer Manufacturers Association (PWMA) standard PW101-2010 (Testing and Rating Performance of Pressure Washers).

# MAINTENANCE

## OWNER'S RESPONSIBILITIES

### General Recommendations

Regular maintenance will improve the performance and extend the life of the pressure washer.

The pressure washer warranty does not cover items that have been subjected to operator abuse or negligence. To receive full value from the warranty, the operator must maintain pressure washer as instructed in this manual including proper storage as detailed in *Storage*.

### Before Each Use

1. Clean debris.
2. Check water inlet screen for debris or damage.
3. Check high pressure hose for leaks.
4. Check steam hose for leaks.
5. Check detergent and water tank siphoning tubes for damage.
6. Check spray gun operation.
7. Check steam gun operation.
8. Clean steam gun tip.

## PRESSURE WASHER MAINTENANCE

### Clean Debris

Daily or before use, clean accumulated debris from electric pressure washer. Inspect cooling air slots and openings on the front, rear and bottom of the electric pressure washer. These openings must be kept clean and unobstructed.

The electric pressure washer parts should be kept clean to reduce the risk of overheating and ignition of accumulated debris.

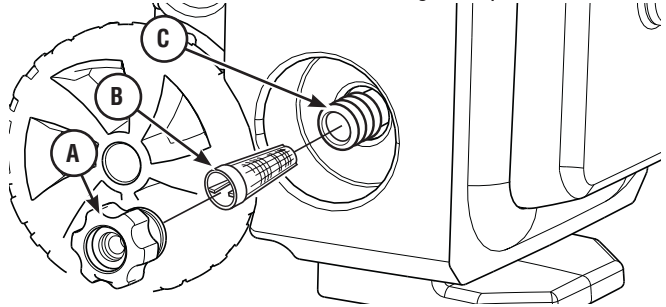
- Use a damp cloth to wipe exterior surfaces clean.

**NOTICE** Improper treatment of the electric pressure washer can damage it and/or shorten its life.

- DO NOT insert any objects through cooling slots.

### Check and Clean Water Inlet Screen

Remove water inlet coupling (A). Then remove water inlet screen (B) from the unit's water inlet (C) using a needle nose pliers. Water inlet is located at bottom front of unit. Examine water inlet screen. If the screen is dirty, clean with a small brush and water. If the screen is damaged, replace it.



### Check High Pressure Hose

The high pressure hose can develop leaks from wear, kinking, or abuse. Inspect the hose each time before using it. Check for cuts, leaks, abrasions or bulging of cover, damage or movement of couplings. If any of these conditions exist, replace the hose immediately.

**WARNING** The high pressure stream of water that this equipment produces could cut through skin and its underlying tissues, resulting in serious injury and possible amputation.

- NEVER repair high pressure hose. Replace it.
- Replacement hose rating MUST equal or exceed maximum pressure rating of unit.

### Check Steam Hose

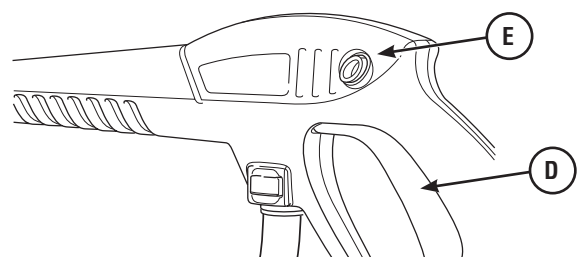
The steam hose can develop leaks from wear, kinking, or abuse. Inspect the hose each time before using it. Check for cuts, leaks and abrasions. If any of these conditions exist, please call **1-800-222-3136** for assistance.

### Check Detergent and Water Tank Siphoning Tubes

Examine the tubes and clean if clogged. Examine the tubes for leaks or tears.

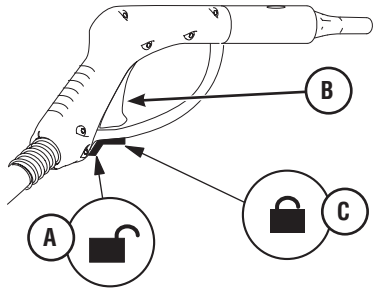
### Check Spray Gun

Examine the hose connection to the spray gun and make sure it is secure. Test the trigger (D) by pressing the trigger lock button (E) and making sure the trigger "springs back" into place when you release it. You should not be able to press the trigger without pressing the trigger lock button. Replace spray gun immediately if it fails any of these tests.



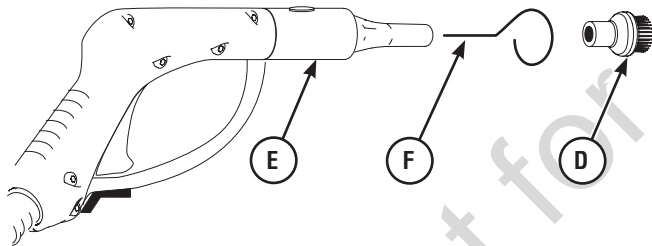
## Check Steam Gun

Test the trigger by pressing trigger release (A), then squeeze trigger (B). Make sure the trigger “springs back” into place when you release it. Press trigger lock (C). You should not be able to squeeze the trigger. Replace spray gun immediately if it fails any of these tests.



## Clean Steam Gun Tip

1. Press the master ON/OFF switch to the OFF (O) center position. Remove power cord plug from electrical outlet.
2. Allow at least 10 minutes for unit to cool.
3. Slide brush attachment (D) off end of gun (E). Insert a small paper clip (F) into small opening repeatedly to remove any clog or sediment buildup.



## Spray Tip Maintenance

Excessive pump pressure can cause a pulsing sensation felt while squeezing the spray gun trigger. The principal cause of excessive pump pressure is a spray tip clogged or restricted with foreign materials such as dirt, etc. A clogged spray tip could lead to pump cycling ON/OFF or not turning on even when there is some flow.

To correct the problem, immediately clean the nozzle by following these instructions:

1. Turn the master switch to the OFF position. Remove power cord plug from electrical outlet.
2. Disconnect water supply at the electric pressure washer.

3. ALWAYS point spray gun in a safe direction, press trigger lock button and squeeze spray gun trigger to release retained high water pressure.

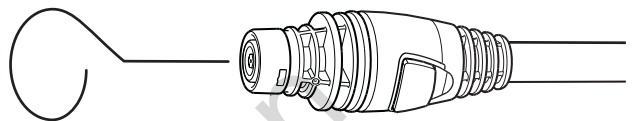


**WARNING** The high pressure stream of water that this equipment produces could cut through skin and its underlying tissues, resulting in serious injury and possible amputation.

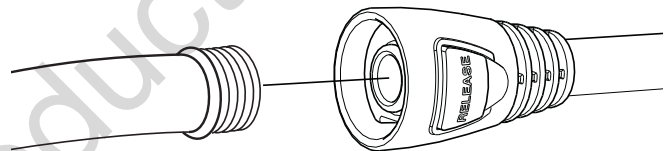
Spray gun traps high water pressure, even when motor is stopped and water is disconnected, which could result in serious injury.

- Keep high pressure hose connected to pump and spray gun while system is pressurized.
- ALWAYS point spray gun in safe direction, squeeze spray gun trigger to release high pressure, every time you turn off pressure washer.

4. Remove spray tip from end of plastic wand.
5. Use a small paper clip to free any foreign material clogging or restricting any of the spray tips.



6. Using a garden hose, remove additional debris by back flushing water through plastic wand. Back flush between 30 to 60 seconds.



7. Reinstall spray tip into plastic wand.
8. Reconnect plastic wand to spray gun.
9. Make sure garden hose is connected to water inlet. Check that high pressure hose is connected to spray gun. Turn on water.
10. Plug power cord into electrical outlet and turn the master switch to the WASH position.
11. Test the electric pressure washer by operating with each spray tip.

## Pump and Motor Maintenance

The electric pressure washer does not require any maintenance to the pump or motor. Both assemblies are pre-lubricated and sealed, requiring no additional lubrication ever.

## AFTER EACH USE

Water should not remain in the unit for long periods of time. Sediments or minerals can deposit on pump parts and “freeze” pump action. Follow these procedures after every use:

1. Turn master switch to the OFF position. Remove power cord plug from electrical outlet.
2. Turn off water supply, point gun in a safe direction, press trigger lock button and squeeze trigger to relieve trapped pressure.
3. Disconnect garden hose from the water supply and the electric pressure washer.
4. Disconnect hose from spray gun and high pressure outlet on pump. Drain water from hose, gun, and wand. Use a rag to wipe off the hose.
5. Drain water from pump by tipping unit on its front side (water inlet facing down).
6. Coil power cord and store on back of unit.
7. Wrap high pressure hose on hose reel.
8. Store unit in a clean, dry area.
9. If storing for more than 30 days see *Winter or Long Term Storage* on next page.

## STORAGE

### WINTER OR LONG TERM STORAGE

Water should not remain in the unit for long periods of time. Sediments or minerals can deposit on pump parts and “freeze” pump action.

#### Initial Storage Procedures

1. Run the electric pressure washer with high pressure spray. Flush for one or two minutes.
2. Turn master switch to the OFF position. Remove power cord plug from electrical outlet.
3. Turn off water supply. Point gun in a safe direction, press trigger lock button and squeeze trigger to relieve trapped pressure. After a few moments, release trigger on spray gun.
4. Disconnect garden hose from the water supply and the electric pressure washer. Disconnect pressure hose from the pump and the spray gun.
5. Drain water from hoses and spray gun, then use a cloth or equivalent to wipe off all exterior surfaces.
6. Ensure that inlet and outlet hoses are disconnected from the pump. Then drain water from pump by tipping unit on its front side (water inlet facing down).

**NOTICE** Water left in the pump could freeze and damage the pump.

## Protecting the Pump

To protect the pump from damage caused by mineral deposits or freezing, use PumpSaver, Model 74403, to treat pump. This prevents freeze damage and lubricates plunger and seals.

**NOTICE** PumpSaver is available as an optional accessory. It is not included with the electric pressure washer. Contact the nearest authorized service center to purchase Pump Saver.

**NOTICE** You must protect your unit from freezing temperatures.

- Failure to do so will permanently damage your pump and render your unit inoperable.
- Freeze damage is not covered under warranty.

To use PumpSaver, make sure the electric pressure washer is turned off and inlet and outlet hoses are disconnected. Read and follow all instructions and warnings given on the PumpSaver container.

## Final Storage Procedures

1. Coil power cord and store on back of unit.
2. Wrap high pressure hose on hose reel.
3. Store spray gun and accessories on accessory tray.
4. Store unit in a clean, dry area that is protected from freezing temperatures.
5. Cover unit with a suitable protective cover that does not retain moisture.

# TROUBLESHOOTING

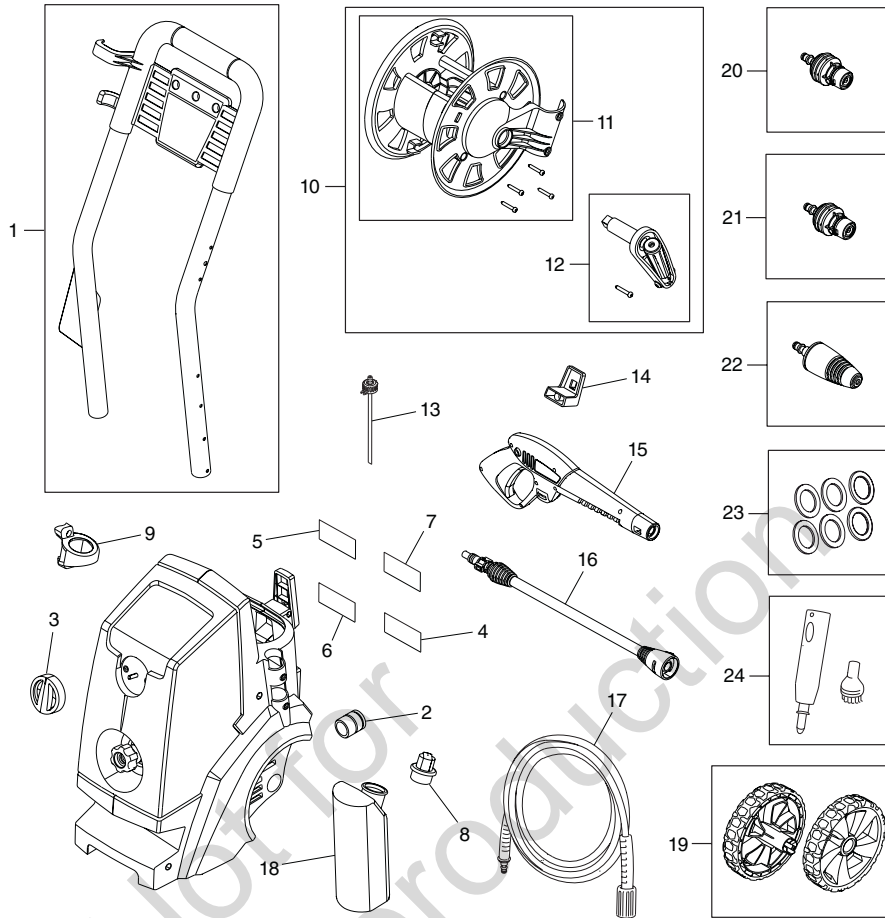
Problem	Cause	Correction
<b>Pump has following problems: failure to produce pressure, erratic pressure, chattering, loss of pressure, low water volume.</b>	<ol style="list-style-type: none"> <li>1. Water inlet is blocked.</li> <li>2. Inadequate water supply.</li> <li>3. Garden hose is kinked or leaking.</li> <li>4. Clogged water inlet screen.</li> <li>5. Water supply is over 100°F (38°C).</li> <li>6. High pressure hose is blocked or leaks.</li> <li>7. Spray tip is obstructed.</li> <li>8. Pump is faulty.</li> </ol>	<ol style="list-style-type: none"> <li>1. Clear inlet.</li> <li>2. Provide adequate water flow.</li> <li>3. Straighten garden hose or replace if leaking.</li> <li>4. Check and clean water inlet screen.</li> <li>5. Provide cooler water supply.</li> <li>6. Clear blocks in high pressure hose or replace hose.</li> <li>7. Clean spray tip.</li> <li>8. Contact Sears service facility.</li> </ol>
<b>Unit fails to start when spray gun trigger is squeezed.</b>	<ol style="list-style-type: none"> <li>1. Water supply is not turned on.</li> <li>2. Unit is not turned on.</li> <li>3. Garden hose is too long.</li> </ol>	<ol style="list-style-type: none"> <li>1. Turn on water supply.</li> <li>2. Turn the master switch to the WASH position. Reset GFCI.</li> <li>3. Use only 50 ft. (15.24 m) maximum garden hose.</li> </ol>
<b>Detergent fails to mix with spray.</b>	<ol style="list-style-type: none"> <li>1. Siphon tube is clogged or cracked.</li> <li>2. Siphon tube is not fully inserted in detergent tank.</li> <li>3. High pressure spray tip installed.</li> </ol>	<ol style="list-style-type: none"> <li>1. Clean siphon tube.</li> <li>2. Insert siphon tube so that end contacts bottom of detergent tank.</li> <li>3. Replace with low pressure spray tip.</li> </ol>
<b>Steam function fails to operate.</b>	<ol style="list-style-type: none"> <li>1. Steam function is not turned on.</li> <li>2. No water in water tank.</li> <li>3. Siphon hose is cut or leaks.</li> <li>4. Siphon hose is not fully inserted in water tank.</li> <li>5. Trigger is locked.</li> </ol>	<ol style="list-style-type: none"> <li>1. Turn the master switch to STEAM position.</li> <li>2. Fill water tank with clean distilled water.</li> <li>3. Examine siphon hose.</li> <li>4. Insert siphon hose so that end contacts bottom of water tank.</li> <li>5. Unlock trigger.</li> </ol>



# PARTS

## CRAFTSMAN 1700 PSI Electric Pressure Washer 580.750310 Exploded View and Parts List

To purchase replacement parts, call 1-888-331-4569



Item	Part #	Description
1	704382	HANDLE
2	315957GS	ADAPTER
3	704361	KNOB
4	704388	DECAL
5	316391GS	DECAL
6	704392	DECAL
7	316392GS	DECAL
8	704378	CAP-TANK
9	704359	HOLDER
10	704381	KIT-HOSE REEL ASSY
11	704409	KIT-REEL
12	704380	HANDLE-HOSE REEL
13	704462	DFC
14	704379	BRACKET
15	316299GS	GUN
16	317422GS	WAND

Item	Part #	Description
17	315954GS	HOSE
18	704357	TANK-CHEMICAL
19	704362	KIT-WHEEL
20	317423GS	NOZZLE
21	317425GS	NOZZLE-SOAP
22	317424GS	NOZZLE
23	315960GS	KIT-O RINGS
24	704355	ADAPTER & BRUSH-STEAM

### Parts Not Illustrated

Part #	Description
316394GS	DECAL-WARNING, CORD
704389	DECAL-GUN, ENG
704461	TAG-WARNING
704460	KIT-HARDWARE

# NOTES

Not for  
Reproduction

# NOTES

Not for  
Reproduction

## TABLA DE CONTENIDO

GARANTÍA .....	20	ESPECIFICACIONES .....	31
NORMAS DE SEGURIDAD .....	21-22	MANTENIMIENTO .....	31-33
CARACTERÍSTICAS Y CONTROLES .....	23	ALMACENAMIENTO .....	33
ENSAMBLAJE .....	24-27	RESOLUCIÓN DE PROBLEMAS .....	34
FUNCIONAMIENTO .....	27-30	NOTAS .....	35

## GARANTÍA

### GARANTÍA LIMITADO DE UN AÑO DE CRAFTSMAN

DURANTE UN AÑO a partir de la fecha de compra, este producto cuenta con una garantía contra cualquier defecto en el material o la mano de obra. Con el comprobante de la compra se sustituirá sin costo un producto defectuoso.

Para conocer los detalles de cobertura de la garantía sobre cómo solicitar la sustitución sin costo, visite la página web: [www.craftsman.com/warranty](http://www.craftsman.com/warranty)

Esta garantía no cubre pistolas rociadoras, mangueras, prolongadores de boquilla, boquillas, puntas de rociado o filtros, ya que son recambios que pueden desgastarse con el uso normal dentro del período de garantía.

Esta garantía se invalida si este producto se utiliza alguna vez para prestar servicios comerciales o si se renta a otra persona.

Esta garantía le otorga determinados derechos legales y es posible que tenga otros derechos que pueden variar de un país o estado a otro.

**Sears Brands Management Corporation, Hoffman Estates, IL 60179 EE. UU.**

Not for  
Reproduction

# NORMAS DE SEGURIDAD

## CONSERVE ESTAS INSTRUCCIONES



Lea este manual detenidamente y familiarícese con la limpiadora a presión eléctrica. Conozca sus aplicaciones, sus limitaciones y todo peligro asociado.

## Información de seguridad importante

### Símbolos de seguridad y significados



Manual del Operario



Descarga eléctrica



Fuego



Superficie resbaladiza



Caída



Inyección Líquida



Proyectil



Objetos propulsados



Quemadura vapor



Quemadura química

⚠ El símbolo de alerta de seguridad indica un riesgo de lesiones personales. Se usan palabras de advertencia (PELIGRO, ADVERTENCIA o PRECAUCIÓN) como símbolos de alerta para designar el nivel de gravedad de los peligros. El símbolo de seguridad puede usarse para representar el tipo de peligro. La palabra *AVISO* se utiliza para hacer referencia a prácticas no relacionadas con lesiones personales.

⚠ **PELIGRO** indica un riesgo que, de no evitarse, *provocará* la muerte o lesiones de gravedad.

⚠ **ADVERTENCIA** indica un riesgo que, de no evitarse, *podría* provocar la muerte o lesiones de gravedad.

⚠ **PRECAUCIÓN** indica un riesgo que, de no evitarse, *podría* provocar lesiones leves o moderadas.

**AVISO** hace referencia a prácticas no relacionadas con lesiones personales.

**Para conocer cómo reparar o realizar operaciones de mantenimiento en un aparato con doble aislamiento, consulte la sección de montaje.**



**ADVERTENCIA** Riesgo de electrocución. El uso de un cable prolongador podría provocar electrocución y quemaduras, y tener como resultado lesiones graves o la muerte.

- NO utilice un cable prolongador con esta limpiadora a presión eléctrica. Es posible que la toma eléctrica residencial o el cable prolongador no le brinde protección con interrupción de circuito de fallo de conexión a tierra, crucial para la vida de una persona.



**ADVERTENCIA** Riesgo de electrocución. Poner en contacto al mismo tiempo ambos conductores de energía podría provocar una descarga eléctrica o incendio que causen muertes o lesiones graves.

- Conectarla solo a un toma corriente con una buena descarga a tierra. NO quite el terminal de tierra del enchufe.
- Compruebe que el cable esté en buenas condiciones antes de usar la unidad. NO la utilice si el cable está dañado.
- El producto cuenta con un interruptor del circuito de fallo a tierra (GFCI) que se encuentra en el cable del enchufe. Si es necesario reemplazar el enchufe o el cable, reemplácelos exclusivamente por piezas de repuesto idénticas.
- Mantenga todas las conexiones secas y lejos del suelo.
- NO toque el enchufe con las manos mojadas.
- NO pase el cable por entradas, ventanas, orificios en los techos, paredes o pisos.
- NO pise el cable.
- NO aplaste, arrastre o coloque objetos sobre el cable.
- NO moje el área cercana a la fuente de energía.



**ADVERTENCIA** Cuando se utiliza la limpiadora a presión, se pueden formar charcos de agua y las superficies pueden volverse resbaladizas.

Riesgo de sufrir contragolpe. La pistola pulverizadora puede generar un rebote y esto puede hacer que usted se caiga, lo cual podría provocarle la muerte o lesiones graves.

- Utilice la limpiadora a presión eléctrica desde una superficie estable.
- No la sobreexija ni la coloque en un lugar inestable. Manténgala siempre en equilibrio.
- El área de limpieza debe tener declives y drenajes apropiados para disminuir la posibilidad de una caída debido a las superficies resbaladizas.
- Tenga mucho cuidado en caso de que deba utilizar la limpiadora a presión eléctrica parado sobre una escalera, andamio o alguna ubicación similar.
- Agarre la pistola pulverizadora con ambas manos cuando utilice los distintos modos de pulverización para evitar lesiones cuando la pistola pulverizadora rebota.



**ADVERTENCIA** Riesgo de incendio. El sobrecalentamiento del cable puede ocasionar la muerte o heridas graves.

- Desenrosque el cable por completo antes de utilizarlo.
- NO cubra el cable con ningún material.



**ADVERTENCIA** Riesgo de incendio. Rociar líquidos inflamables puede ocasionar la muerte o heridas graves.

- NO rocíe líquidos inflamables.



**ADVERTENCIA** Riesgo de lesiones oculares o corporales. La pistola puede salpicar, empujar objetos o provocar daños internos que ocasionen una lesión grave.



- Cuando utilice o esté cerca de este dispositivo, colóquese gafas de seguridad con ventilación indirecta (salpicadura química) que cumplan con la disposición ANSI Z87.1. NUNCA reemplace las gafas de seguridad o las gafas para tareas secas por gafas de seguridad con ventilación indirecta.
- Saber cómo detener la limpiadora a presión y eliminar la presión rápidamente. Estar perfectamente familiarizado con los controles.
- NO permita a los NIÑOS utilizar la limpiadora a presión eléctrica.
- No permita la presencia de personas en el área de uso.
- Antes de cada uso, revise la manguera a alta presión. NUNCA repare la manguera a alta presión; cámbiela.
- NO repare pérdidas con ningún tipo de sellador; cambie las juntas tóricas y obturadoras.
- Mientras el sistema esté presurizado, mantenga la manguera conectada a la limpiadora y a la pistola pulverizadora.
- SIEMPRE apunte la pistola pulverizadora en una dirección segura mientras el sistema esté presurizado y apriete el gatillo de la pistola para liberar la presión alta cada vez que apague el dispositivo.
- NO apunte a personas o animales con la pistola pulverizadora.
- NO beba de los accesorios conectados a la manguera.
- NO fije la pistola pulverizadora en la posición de abierto.
- NO descuide la pistola pulverizadora mientras la limpiadora a presión se encuentra en la posición de encendido (I).
- NO utilice una pistola pulverizadora que no tenga una traba o un bloqueador de gatillo en su lugar y que funcione correctamente.
- Siempre asegúrese de que la pistola pulverizadora y los accesorios estén colocados correctamente.
- Manténgase alerta: preste atención a lo que hace.
- NO utilice el dispositivo si está cansado o bajo la influencia de alcohol o drogas.
- Cuando se usa este producto cerca de niños es necesario realizar una supervisión cercana.



**ADVERTENCIA** El chorro de agua de alta presión que produce esta unidad podría generar cortes en la piel y tejidos subcutáneos, lo cual provocaría lesiones graves o una posible amputación. La pistola pulverizadora contiene agua a alta presión incluso cuando el motor está detenido y el suministro de agua desconectado. Esto podría provocar lesiones graves.

- NUNCA apunte a personas, animales o plantas con la pistola pulverizadora.
- SIEMPRE apunte la pistola pulverizadora en una dirección segura, apriete el gatillo de la pistola para liberar la presión alta cada vez que apague la limpiadora a presión.



**ADVERTENCIA** Este producto contiene plomo y compuestos del plomo, que, como se ha estudiado en el estado de California, Estados Unidos, pueden provocar defectos a bebés u otros daños relacionados con la reproducción. *Lávese las manos después de manipular este producto.*



**ADVERTENCIA** Peligro de quemaduras químicas. Los productos químicos pueden causar quemaduras que ocasionen la muerte o heridas graves.



- Cuando utilice productos químicos, colóquese gafas de seguridad con ventilación indirecta (salpicadura química) que cumplan con la disposición ANSI Z87.1.
- NO reemplace las gafas de seguridad o las gafas para tareas secas por gafas de seguridad con ventilación indirecta.
- NO utilice líquido cáustico con la limpiadora a presión eléctrica.
- SOLO utilice detergentes/jabones seguros para la limpiadora a presión. Siga todas las instrucciones del fabricante.



**ADVERTENCIA** Superficie caliente y peligro de quemaduras por vapor. Las superficies calientes y el vapor que genera la pistola de vapor pueden provocar quemaduras que resulten en lesiones graves.



- NO toque el chorro de vapor ni la boquilla con las manos mientras lo esté utilizando.
- Deje que la máquina se enfríe antes de tocarla.
- SIEMPRE apunte la pistola de vapor en una posición segura mientras la esté utilizando.
- NO apunte a personas o animales con la pistola pulverizadora.

**AVISO** El pulverizador de alta presión puede dañar objetos frágiles, incluso cristales.

- NO apunte la pistola pulverizadora a cristales cuando coloque la boquilla selectora en la posición de MAX.
- NUNCA apunte a las plantas con la pistola pulverizadora.

**AVISO** Si maneja de manera incorrecta la limpiadora a presión eléctrica, podría dañarla y acortar su vida útil.

- Si tiene preguntas sobre el uso de la máquina, consulte a su vendedor o póngase en contacto con un centro de servicio autorizado.
- NO haga funcionar las unidades con piezas rotas o sin algunas piezas, o sin usar cubiertas de protección.
- NO omita usar ningún dispositivo de seguridad en la limpiadora a presión eléctrica.
- NO modifique la limpiadora a presión eléctrica.
- Antes de arrancar la limpiadora a presión eléctrica en climas muy fríos, revise todas las piezas del equipo para asegurarse de que no estén cubiertas de hielo.
- NO tire de las mangueras para mover la limpiadora a presión eléctrica. Mueva la unidad desde la manija de transporte provista.
- El equipo de alta presión está diseñado para ser utilizado **UNICAMENTE** con las partes autorizadas Sears. Si utiliza este equipo con partes que no cumplan con las especificaciones mínimas, el usuario asume todos los riesgos y responsabilidades.

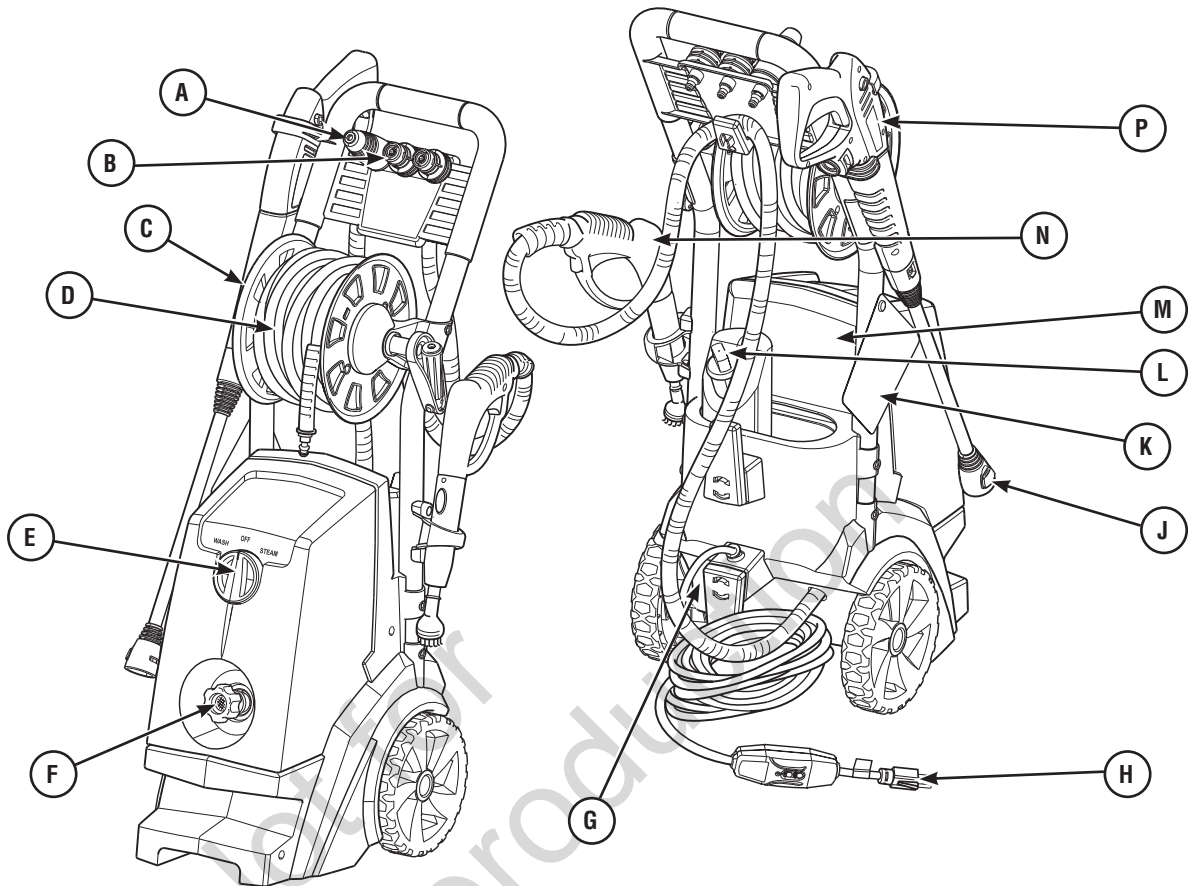
# CARACTERÍSTICAS Y CONTROLES

## CONOZCA SU LIMPIADORA A PRESIÓN



Lea el Manual del usuario y las normas de seguridad antes de utilizar la limpiadora a presión.

Compare los dibujos con la limpiadora a presión para familiarizarse con la ubicación de los distintos controles y ajustes. Guarde este manual para consultas futuras.



**A - Punta de rociado turbo** — Hace girar un poderoso chorro de agua de precisión para una limpieza profunda.

**B - Puntas de rociado** — La punta de rociado con casquillo blanco es para aplicaciones generales con detergente. La punta de rociado con casquillo anaranjado es para diversas aplicaciones de alta presión.

**C - Carrete de manguera** — Contiene un área de depósito para la manguera a alta presión.

**D - Manguera a alta presión** — Conecte un extremo a la salida de agua a alta presión y el otro a la pistola pulverizadora.

**E - Interruptor principal** — Sitúe el interruptor en WASH (LAVAR) para encender la limpiadora a presión. Sitúe el interruptor en STEAM (VAPOR) para utilizar la función de vapor. Sitúe el interruptor en OFF (APAGADO) para apagar la limpiadora a presión o la función de vapor.

**F - Entrada del suministro de agua** — Conecte el suministro de agua utilizando una manguera para jardín de un máximo de 50 ft (15,24 m).

**G - Salida de agua a alta presión** — Conexión de la manguera a alta presión.

**H - Cable eléctrico con GFCI** — La limpiadora a presión eléctrica y el operador están protegidos por un interruptor de circuito con fallos a tierra.

**J - Varilla de plástico** — Le permite cambiar entre tres puntas de rociado distintos.

**K - Etiquetas de advertencia** — Identifique los peligros que deben evitarse cuando utiliza la limpiadora a presión.

**L - Pistola de vapor** — Controla la aplicación de vapor en la superficie a limpiar con un gatillo. Incluye traba de gatillo.

**M - Etiqueta de identificación** — Proporciona el modelo y el número de serie de la limpiadora a presión. En caso de llamar y solicitar ayuda, tenga la etiqueta cerca.

**N - Tanque de agua** — Llénelo con agua destilada limpia para utilizar la función de vapor.

**P - Pistola pulverizadora** — Controla la aplicación de agua sobre la superficie por limpiar con un gatillo. Incluye traba de gatillo.

# ENSAMBLAJE

Será necesario que monte la limpiadora a presión, pero esto no le llevará mucho tiempo.

**Si tiene algún problema para montar la limpiadora a presión, póngase en contacto con la línea de ayuda de limpiadoras a presión llamando al 1-800-222-3136.**

## DESEMBALE LA LIMPIADORA A PRESIÓN

1. Saque todos los elementos de la caja.
2. Asegúrese de tener todos los elementos que se incluyen antes de ensamblarla.

## CONTENIDO DE LA CAJA

Revise todo el contenido. En caso de que falte o esté dañada alguna pieza, póngase en contacto con la línea de ayuda de la limpiadora a presión llamando al **1-800-222-3136**.

- Unidad principal
- Asa con bandeja de accesorios
- Botella de agua con tapón
- Carrete de mangueras (lado izquierdo y derecho)
- Manija del carrete de manguera
- Aros de tope del carrete de manguera (lado izquierdo y derecho)
- Pistola pulverizadora
- Manguera a alta presión
- Varilla de plástico
- Puntas de rociado de conexión rápida (3)
- Bolsa de piezas (que incluye lo siguiente):
  - Juego de juntas tóricas
  - Tornillos largos (10)
  - Tornillos medianos (5)
  - Tornillo corto (1)
  - Arandela
  - Manual del operario
  - Tarjeta de registro del propietario

Conozca cada pieza antes de montar la limpiadora a presión. Identifique todo el contenido de la caja con la imagen de la página 23. En caso de que falte o esté dañada alguna pieza, póngase en contacto con la línea de ayuda de la limpiadora a presión llamando al **1-800-222-3136**.

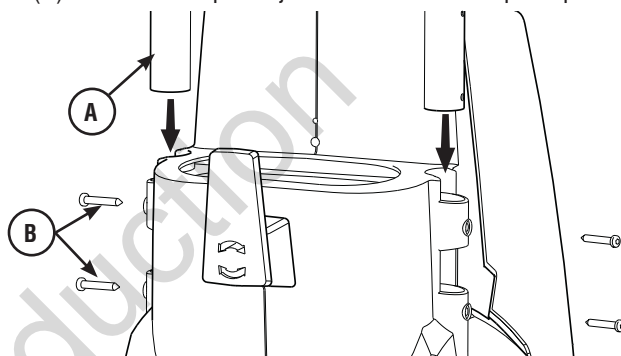
## MONTAJE DE LA LIMPIADORA A PRESIÓN

Antes de utilizarla, tendrá que montar la limpiadora a presión Craftsman:

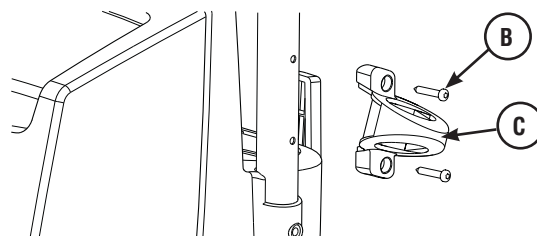
1. Llene y envíe la tarjeta de registro.
2. Ensamble la unidad principal (asa y soporte).
3. Monte el carrete de la manguera.
4. Lubrique las juntas tóricas.
5. Conecte la manguera de presión a la pistola rociadora y a la bomba.
6. Conecte el suministro de agua a la bomba.
7. Fije la varilla de plástico a la pistola rociadora.
8. Adapte la punta de rociado de conexión rápida a la varilla de plástico.

### Montaje de la unidad principal

1. Deslice el asa (A) dentro de las ranuras en la parte superior de la unidad principal. Instale dos tornillos largos (B) en cada lado para fijar el asa a la unidad principal.



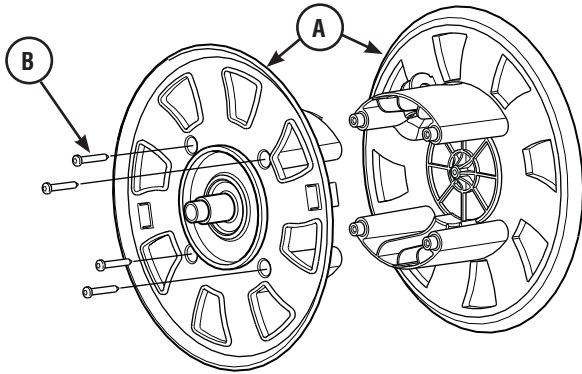
2. Fije el soporte de la pistola de vapor (C) al lado derecho del asa (viendo desde la parte delantera), usando dos tornillos largos (B).



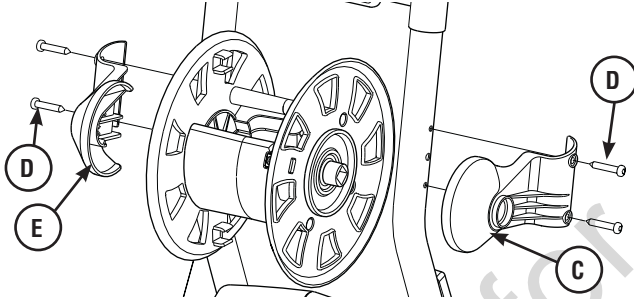


## Arme el carrete de la manguera

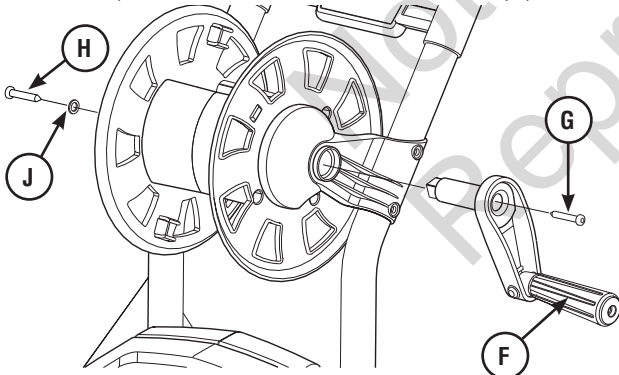
1. Monte ambas mitades del carrete de la manguera (A) y asegúrelo con cuatro tornillos medianos (B).



2. Coloque el soporte del carrete de la manguera (C) en el lado derecho del asa, tal como se muestra, y fíjelo usando dos tornillos largos (D). Coloque el carrete de la manguera en los soportes y fije el soporte del lado izquierdo (E) al asa usando dos tornillos largos (D).



3. Deslice el asa (F) dentro del orificio hexagonal del soporte del carrete de la manguera (lado derecho viendo de frente la unidad) y fije usando un tornillo medianos (G).

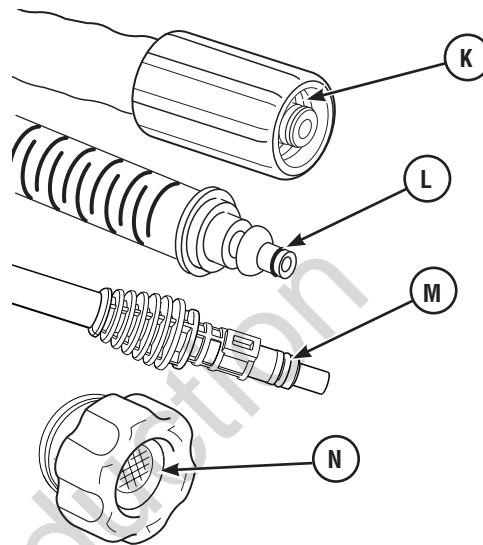


4. Fije el lado izquierdo del carrete de la manguera (viendo de frente la unidad) al soporte con la limpiadora usando un tornillo corto (H) y un arandela (J).
5. Coloque un extremo de la manguera a alta presión en la entrada del carrete de la manguera.
6. Gire la manija para enrollar la manguera en el carrete.

## Lubrique las juntas tóricas

La lubricación de las juntas tóricas es extremadamente importante para la instalación y el funcionamiento. El uso de un lubricante (grasa lubricante o sintética) durante el montaje ayuda a que las juntas tóricas se asienten correctamente y ofrece un mejor sellado. También ayuda a evitar que la junta tórica resulte dañada por abrasión, pellizcado o cortes, y aumenta la vida útil de la junta tórica.

**AVISO** Aplique SIEMPRE una pequeña cantidad de lubricante a las juntas tóricas antes de montar la manguera de alta presión (extremo de la bomba) (K), manguera de alta presión (extremo de la pistola) (L), manguera de riego a la bomba (M) y varilla de plástico (extremo de la pistola) (N).



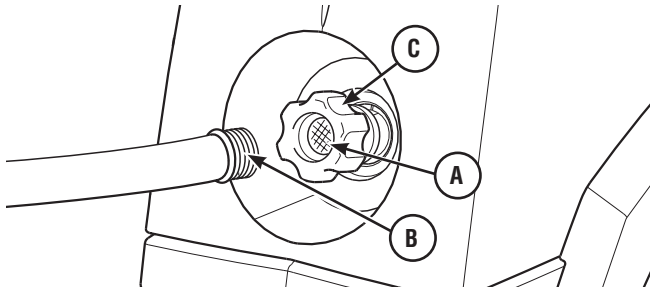
**Lubrique todas las conexiones mostradas debajo. Para ello, siga estas instrucciones:**

1. Revise y limpie las superficies de conexión antes de lubricar y armar.
2. Sea moderado en el uso de lubricantes durante el armado. Solo necesita una pequeña lubricación.
3. Use un cepillo pequeño o un bastoncillo de algodón para aplicar la grasa directamente a las juntas tóricas en los lugares donde no son accesibles (adaptador QC, adaptador M22).

## Conecte las mangueras y el suministro de agua

**AVISO** SOLO use agua fría (menos de 100 °F/38 °C).

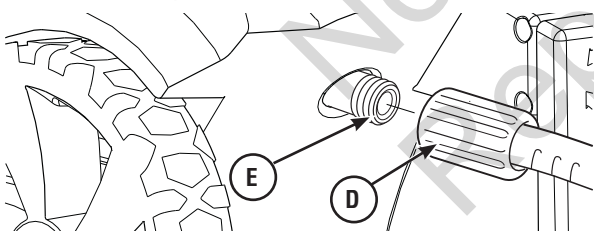
1. Conecte una manguera para jardín (máximo: 50 ft/15,24 m) al suministro de agua.
2. Deje correr agua por la manguera para jardín durante 30 segundos para limpiar la suciedad. Desconecte el agua.
3. Verifique que la pantalla de entrada de agua (A) esté instalada en la entrada de agua ubicada en la parte inferior frontal de la unidad. NO la retire a menos que vaya a limpiarla.



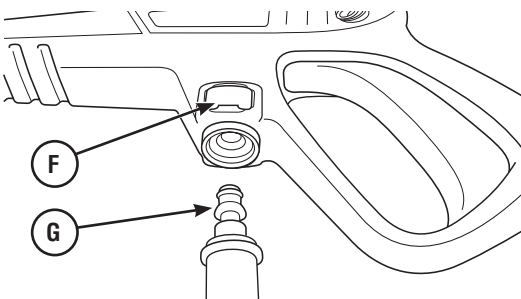
**AVISO** Si falta la pantalla de entrada o está dañada, NO use la limpiadora a presión eléctrica. Llame al **1-800-222-3136** para obtener ayuda.

**AVISO** NO use la bomba sin el suministro de agua conectado y funcionando.

- Si no se siguen estas instrucciones y se daña el equipo, quedará anulada la garantía.
4. Coloque el manguera para jardín (B) en el acoplamiento de entrada de agua (C). Apriete a mano.
  5. Desenrolle por completo la manguera de alta presión del carrete de la manguera.
  6. Conecte la manguera a alta presión (D) en la salida de agua de la unidad (E) ubicada en la parte trasera inferior de la unidad. Apriete a mano.

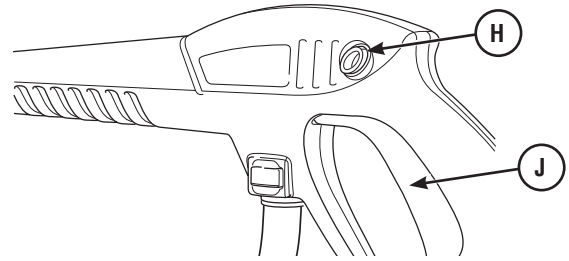


7. Coloque el extremo opuesto de la manguera a alta presión en la pistola pulverizadora. Presione el botón rojo (F) de la pistola pulverizadora. Luego, coloque el extremo de la manguera a alta presión (G) en la manguera hasta que quede colocada correctamente. Suelte el botón rojo y compruebe que la conexión esté segura.

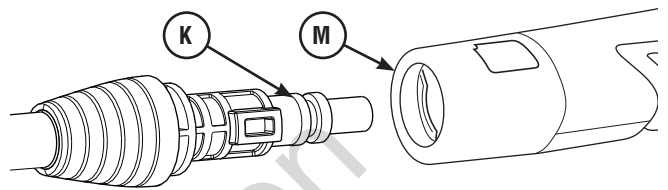


## Conecte la varilla y punta de rociado

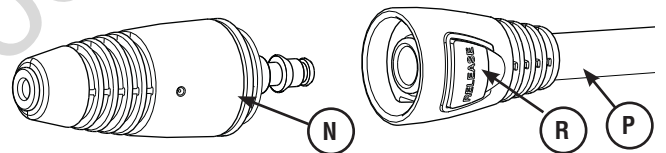
1. Encienda el agua, apunte la pistola hacia una dirección segura, libere el gatillo (H), luego apriételo (J) para purgar el sistema y la pistola pulverizadora de aire e impurezas.



2. Inserte y doble la varilla de plástico (K) en la pistola pulverizadora (M). Después de que la varilla haya entrado en la pistola, empújela hacia adentro un poco más y gírela 1/4 hacia la derecha hasta colocarla en su lugar.



3. Apague el agua y suelte el gatillo. Apunte la pistola hacia una dirección segura y compruebe que no se pueda apretar el gatillo.
4. Inserte la punta de rociado (N) dentro de la varilla de plástico (P). Una vez que haya deslizado la punta de rociado dentro de la pistola, aplique más presión hacia adentro hasta que se ENCAJE en su posición.



**AVISO** Para quitar la punta de rociado, oprima el botón de liberación (R) en la varilla y jálela para sacarla de la varilla.


## Lista de verificación previa al arranque del motor de la bomba

Revise el montaje de la unidad para asegurarse de que haya realizado todas las siguientes acciones.

1. Asegúrese de leer *Seguridad del usuario y Funcionamiento* antes de usar la limpiadora a presión eléctrica.
2. Compruebe que las conexiones de manguera estén correctamente apretadas.
3. Asegúrese de que las mangueras no tengan nudos, cortes ni daños.
4. Coloque un suministro de agua adecuado con el flujo correcto (que no exceda los 38°C).
5. Enchufe el cable de energía en un circuito eléctrico de 120 VCA a 15 A que esté correctamente instalado de acuerdo con las normas y disposiciones locales.

## Servicio a un aparato con doble aislamiento

En un producto con doble aislamiento, se proporcionan dos sistemas de aislamiento en lugar de la conexión a tierra. El producto con doble aislamiento no cuenta con ningún medio de conexión a tierra, ni se le debe añadir uno. El servicio a un producto con doble aislamiento requiere extrema atención y conocimiento del sistema, y sólo debe hacerlo el personal de servicio calificado. Los repuestos de un producto con doble aislamiento deben ser idénticos a las piezas que se reemplazan. Un producto con doble aislamiento está marcado con las palabras "DOUBLE INSULATION" (DOBLE AISLAMIENTO) o "DOUBLE INSULATED" (DOBLEMENTE AISLADO).

El símbolo  significa APARATO CON DOBLE AISLAMIENTO.

## Circuitos protegidos con interruptores a tierra

Esta arandela de presión se proporciona con un circuito protegido con interruptores a tierra (GFCI) integrado en el enchufe del cable de alimentación. Este dispositivo aporta una mayor protección frente al riesgo de descarga eléctrica. En el caso de que sea necesario sustituir el enchufe o el cable, utilice piezas de repuestos exactamente idénticas que dispongan de protección GFCI.

# FUNCIONAMIENTO

## COMO USAR LA LIMPIADORA A PRESIÓN

Si tiene algún problema para usar la limpiadora a presión, póngase en contacto con la línea de ayuda de limpiadoras a presión llamando al **1-800-222-3136**.

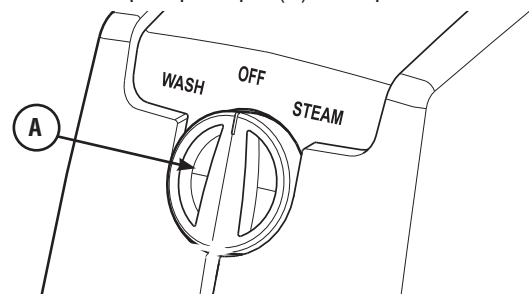
## Cómo arrancar la limpiadora a presión eléctrica

**⚠ ADVERTENCIA** Riesgo de lesión ocular. El pulverizador podría salpicar o empujar objetos y esto podría causar lesiones graves. Cuando utilice o esté cerca de este dispositivo, colóquese gafas de seguridad con ventilación indirecta (salpicadura química) que cumplan con la disposición ANSI Z87.1. Jamás reemplace las gafas de seguridad o las gafas para tareas secas por gafas de seguridad con ventilación indirecta.

1. Coloque la limpiadora a presión eléctrica cerca de una fuente externa de agua que pueda suministrar agua a un flujo superior a 3 galones por minuto (11,4 L), no inferior a 20 psi (1,38 bares) en el extremo de la limpiadora a presión eléctrica de la manguera para jardín. NO trasvase el suministro de agua.
2. Conecte la manguera para jardín a la entrada de agua.
3. Verifique que la manguera a alta presión esté firmemente conectada a la pistola pulverizadora. Consulte *Conecte las mangueras y el suministro de agua* para ver los gráficos.

**AVISO** NO use la bomba sin el suministro de agua conectado y funcionando.

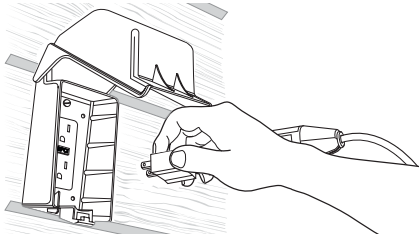
- Si no se siguen estas instrucciones y se daña el equipo, quedará anulada la garantía.
4. ENCIENDA el agua, apunte la pistola hacia una dirección segura, presione el botón de bloqueo del gatillo y apriete el gatillo para purgar de aire el sistema de la bomba.
  5. Quite la suciedad o elementos ajenos en las boquillas. Instale la varilla deseada en la pistola pulverizadora. Consulte *Conecte las mangueras y el suministro de agua* y *Cómo usar las varillas* para obtener más detalles.
  6. Sitúe en interruptor principal (A) en la posición OFF.



**⚠ ADVERTENCIA** Riesgo de electrocución. El uso de un cable prolongador podría provocar electrocución y quemaduras, y tener como resultado lesiones graves o la muerte.

- NO utilice un cable prolongador con esta limpiadora a presión eléctrica. Es posible que la toma eléctrica residencial o el cable prolongador no le brinde protección con interrupción de circuito de fallo de conexión a tierra, crucial para la vida de una persona.

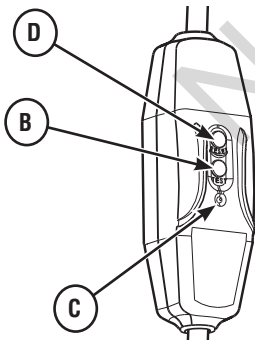
7. Enchufe el cable de energía en un circuito eléctrico de 120 VCA a 15 A que esté correctamente instalado y conectado a tierra de acuerdo con las normas y disposiciones locales. Debería encenderse la luz del indicador en el GFCI.



**AVISO** La luz del indicador debe estar visible para que la limpiadora a presión eléctrica pueda funcionar.

**⚠ ADVERTENCIA** Riesgo de electrocución. Si no se utiliza un interruptor con circuito de fallo de conexión a tierra (GFCI), se podría resultar lesiones graves o la muerte. Si el luz del indicador no se mantiene encendido después de la prueba y el rearme, no utilice al GFCI.

8. Presione el botón TEST (prueba) (B). Se debería apagar la luz del indicador (C).



9. Presione el botón RESET (reiniciar) (D). Se debería encender la luz del indicador (C).

**AVISO** NO use la limpiadora a presión eléctrica si falla la prueba mencionada anteriormente.

10. Coloque el interruptor principal en la posición de WASH (LAVAR).

11. Apunte la pistola hacia una dirección segura, presione el botón de bloqueo del gatillo y apriete el gatillo. El motor de la limpiadora a presión eléctrica arrancará y se detendrá mientras se presiona y se suelta el gatillo de la pistola pulverizadora.

Ahora la limpiadora a presión eléctrica está lista para ser usada. Más adelante, en esta sección, encontrará las instrucciones de uso de los accesorios provistos.

## Cómo detener la limpiadora a presión eléctrica

El motor de la limpiadora a presión eléctrica solo funciona cuando está presionado el gatillo. Para detener la limpiadora a presión eléctrica y apagar el motor:

1. Suelte el gatillo de la pistola pulverizadora.
2. Coloque el interruptor principal en la posición de OFF (APAGADO).

**AVISO** Al soltar el gatillo, se apagará el motor, pero no se cortará el suministro de energía a la unidad.

3. Desconecte el suministro de agua.
4. SIEMPRE apunte la pistola pulverizadora hacia una dirección segura y presione su gatillo para liberar la presión acumulada en la unidad.

**⚠ ADVERTENCIA** El chorro de agua de alta presión que produce esta unidad podría generar cortes en la piel y tejidos subcutáneos, lo cual provocaría lesiones graves o una posible amputación.

La pistola pulverizadora contiene agua a alta presión incluso cuando el motor está detenido y el suministro de agua desconectado. Esto podría provocar lesiones graves.

- Mientras el sistema esté presurizado, mantenga la manguera de alta presión conectada a la bomba y a la pistola pulverizadora.
- SIEMPRE apunte la pistola pulverizadora en una dirección segura, apriete el gatillo de la pistola para liberar la presión alta cada vez que apague la limpiadora a presión.

5. Desconecte el enchufe del GFCI de la salida y enrolle el cable de alimentación.
6. Desconecte la manguera de alta presión de la toma y de la pistola rociadora. Inserte un extremo de la manguera dentro del carrete de la manguera, enrolle y guarde.
7. Guarde la pistola rociadora, la varilla y los accesorios en la bandeja de accesorios.

## Cómo usar las puntas de rociado

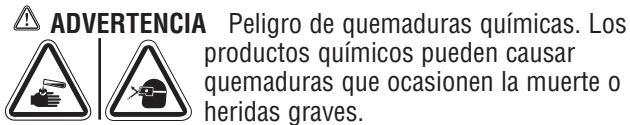
Ya debería estar familiarizado con cómo arrancar y cómo detener la limpiadora a presión eléctrica. Si no es así, antes de continuar, consulte la sección anterior para familiarizarse con cómo arrancar y cómo detener el sistema.

La limpiadora a presión se suministra con tres puntas de rociado. La punta de rociado turbo hace girar un poderoso chorro de agua de precisión para una limpieza profunda. La punta de rociado con casquillo blanco es para aplicaciones generales con detergente y la punta de rociado con casquillo anaranjado es para diversas aplicaciones de alta presión.

### Consejos de uso

- Para realizar una limpieza muy efectiva, mantenga la punta de rociado de 8 a 24 in (de 20 a 60 cm) alejada de la superficie de limpieza.
- Si acerca demasiado la punta de rociado, especialmente en el uso a alta presión, podría llegar a dañar la superficie que está limpiando.
- Al limpiar neumáticos, no se acerque a más de 6 in (15 cm).

## Cómo aplicar detergente

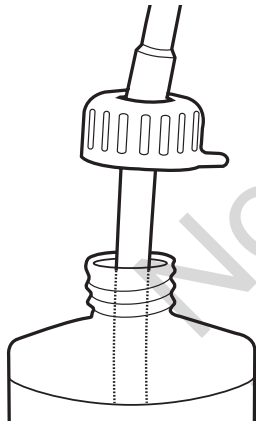


**ADVERTENCIA** Peligro de quemaduras químicas. Los productos químicos pueden causar quemaduras que ocasionen la muerte o heridas graves.

- Cuando utilice productos químicos, colóquese gafas de seguridad con ventilación indirecta (salpicadura química) que cumplan con la disposición ANSI Z87.1.
- NO reemplace las gafas de seguridad o las gafas para tareas secas por gafas de seguridad con ventilación indirecta.
- NO utilice líquido cáustico con la limpiadora a presión eléctrica.
- SOLO utilice detergentes/jabones seguros para la limpiadora a presión. Siga todas las instrucciones del fabricante.

### Para aplicar detergente, siga estos pasos:

1. Revise el uso de las puntas de rociado que se muestra en *Cómo usar la punta de rociado*.
2. Coloque la botella del concentrado Perfect Mix™ Extreme Concentrate (no incluido) en la bandeja, ubicada en la parte posterior de la unidad. Quite el tapón de la botella e inserte la manguera de inyección Perfect Mix color azul. Enrosque la unidad de la manguera de inyección a la parte superior de la botella.



**AVISO** USE SOLAMENTE solución concentrada Perfect Mix con su limpiador a presión. Si utiliza cualquier otra solución no concentrada, ésta no le proporcionará los resultados esperados.

3. Instale la punta de rociado con casquillo blanco.

**AVISO** El detergente no se puede aplicar con la punta de rociado turbo o anaranjada.

4. Asegúrese de que la manguera para jardín esté conectada a la entrada de agua. Verifique que la manguera a alta presión esté conectada a la pistola pulverizadora y a la bomba. Encienda el agua.

**AVISO** Debe conectar todas las mangueras antes de arrancar la limpiadora a presión eléctrica.

5. Arranque la limpiadora a presión eléctrica según las indicaciones de *Cómo arrancar la limpiadora a presión eléctrica*.

6. Aplique detergente a una superficie seca. Comience en una parte inferior de la zona que limpiará y vaya subiendo de forma amplia y pareja.
7. Deje que el detergente entre en "remojo" de 3 a 5 min antes de lavar y enjuagar. Vuelva a aplicar, según sea necesario, para evitar que la superficie se seque. Para evitar que queden vetas, NO DEJE que el detergente se seque en la superficie.

### Enjuagar la limpiadora a presión eléctrica

1. Quite la punta de rociado con casquillo blanco de la varilla.
2. Instale la punta de rociado con casquillo anaranjado.
3. Mantenga la pistola pulverizadora a una distancia segura de la zona que va a limpiar.

**ADVERTENCIA** Riesgo de rebote. La pistola pulverizadora puede generar un rebote y esto puede hacer que usted se caiga, lo cual podría provocar la muerte o lesiones graves.



- Utilice la limpiadora a presión eléctrica desde una superficie estable.
- Tenga mucho cuidado en caso de que deba utilizar la limpiadora a presión eléctrica parado sobre una escalera, andamio o alguna ubicación similar.
- Agarre la pistola pulverizadora con ambas manos cuando utilice los distintos modos de pulverización para evitar lesiones cuando la pistola pulverizadora rebota.

4. Rocíe a alta presión en una zona pequeña y luego compruebe que no haya daños en la superficie. Si no encontró daños, puede continuar con el enjuague.
5. Comience en la parte superior de la zona por enjuagar y baje con movimientos amplios y parejos, al igual que cuando limpió.

### Otros consejos de limpieza

- NUNCA descuide la limpiadora a presión eléctrica mientras está enchufada a una salida eléctrica y mientras se está suministrando agua al equipo.
- Si la punta de rociado está muy lejos de la superficie que está lavando, la limpieza puede no ser tan efectiva.

## Cómo utilizar la función de vapor

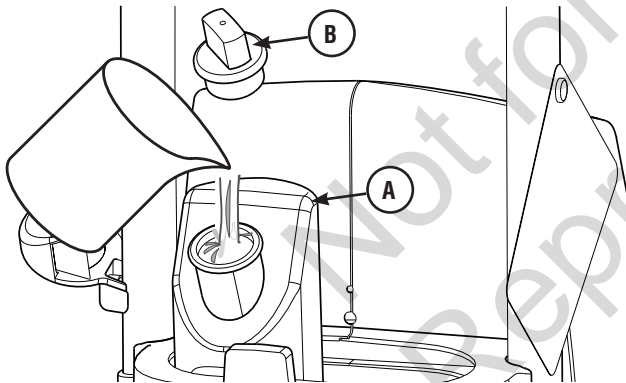
### Instrucciones de conexión a tierra

Este producto se debe conectar a tierra. En caso de que no funcione correctamente o falle, la conexión a tierra brinda a la corriente eléctrica una trayectoria de menor resistencia, a fin de reducir el riesgo de electrocución. Este producto está equipado con un cable que tiene un conductor de conexión a tierra del equipo y enchufe con conexión a tierra. El enchufe debe introducirse en una toma adecuada, correctamente instalada y conectada a tierra conforme a toda la normativa vigente.

**¡PELIGRO!** – Una conexión inadecuada del conductor de conexión a tierra del equipo puede representar un riesgo de electrocución. Verifique con un electricista calificado o con el personal de servicio si tiene dudas de que la toma esté correctamente conectada a tierra. No modifique el enchufe que viene con el producto; si no se ajusta a la toma, haga que un electricista calificado instale una toma adecuada. No use ningún tipo de adaptador con este producto.

**AVISO** Solo utilice agua destilada/desmineralizada. NO utilice otros líquidos que podrían ser inflamables o que podrían obstruir el sistema.

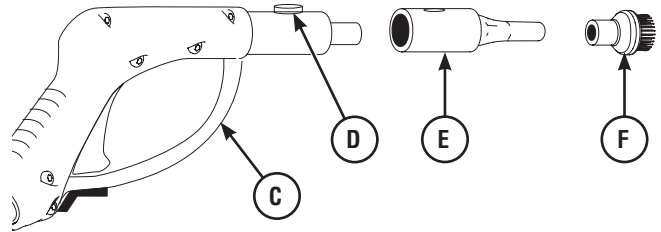
1. Coloque el depósito de agua (A) dentro de la bandeja, ubicada en la parte posterior de la unidad.
2. Quite el tapón del depósito de agua (B) y llénelo con agua destilada/desmineralizada limpia.



**AVISO** Para asegurarse de que la unidad funcione a la perfección y dure bastante tiempo, SOLO utilice agua destilada/desmineralizada. Los depósitos de cal pueden comprometer el normal funcionamiento de la unidad (suministro de vapor intermitente, pérdidas de agua de la válvula de descarga, obstrucción en la boquillas y tubería de abastecimiento). En caso de que esto ocurriese, póngase en contacto con el servicio al cliente de Sears.

3. Inserte el tubo de aspiración a través del orificio que está en la parte superior del tapón del depósito de agua.
4. Coloque el tubo de aspiración y el tapón en el depósito de agua.

5. Asegúrese de que las conexiones de la cubierta (E) y la escobilla (F) estén instaladas en la pistola de vapor (C). La cubierta está asegurada con un botón a resorte (D) en la pistola. Presione este botón para instalar y quitar la cubierta. La conexión de la escobilla se desliza por el extremo de la cubierta.



**AVISO** Para utilizar la función de vapor, no es necesario que estén conectadas la manguera para jardín y la manguera a alta presión.

6. Realice los pasos 6 a 9 de *Puesta en funcionamiento de la limpiadora a presión eléctrica*.

**⚠ ADVERTENCIA** Superficie caliente y peligro de quemaduras por vapor. Las superficies calientes y el vapor que genera la pistola de vapor pueden provocar quemaduras que resulten en lesiones graves.

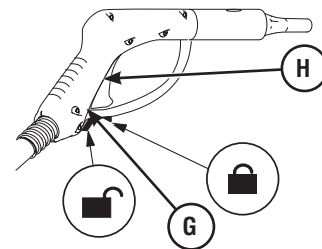
- NO toque el chorro de vapor ni la boquilla con las manos mientras lo esté utilizando.
- Deje que la máquina se enfríe antes de tocarla.
- SIEMPRE apunte la pistola de vapor en una posición segura mientras la esté utilizando.
- NO apunte a personas o animales con la pistola pulverizadora.

7. Sitúe el interruptor principal en la posición STEAM y espere 20 segundos.

**AVISO** Cuando apriete el gatillo por primera vez, es posible que salga un poco de agua antes del vapor. SIEMPRE apunte la pistola de vapor en una dirección segura.

**AVISO** Nunca deje que el agua en el tanque se gaste por completo. Vuelva a llenar el tanque cuando el nivel de agua baje a un cuarto de tanque. Utilizar la unidad sin agua puede dañar la bomba de alimentación de caldera.

8. Apunte la pistola hacia una dirección segura, quite la traba del gatillo (G) y apriete el gatillo (H). Saldrá vapor por la boquilla.



**AVISO** La función de vapor cuenta con una válvula de seguridad que libera agua caliente por un drenaje que se encuentra en la parte inferior de la unidad en caso de que se acumule presión.

# ESPECIFICACIONES

## ESPECIFICACIONES DEL PRODUCTO

### Especificaciones de la limpiadora a presión

Presión máxima de salida	1700 PSI* @1,0 GPM
Velocidad máxima de flujo	1000 PSI @1,3 GPM*
Mezcla de detergente	Ver las instrucciones de MFR
Temperatura del suministro de agua	No debe superar los 100 °F (38 °C)
Motor	De tipo universal (cepillo)
Rango de voltaje	120 VCA
Corriente	12,5 A

\* Esta limpiadora a presión está clasificada conforme a la norma PW101-2010 (comprobación y clasificación de rendimiento de limpiadoras a presión) de la Asociación de fabricantes de bombas a presión (Pressure Washer Manufacturers Association, PWMA).

## MANTENIMIENTO

### RESPONSABILIDADES DEL PROPIETARIO

#### Recomendaciones Generales

Un mantenimiento regular mejorará el funcionamiento y extenderá la vida útil de la limpiadora a presión.

La garantía de la limpiadora a presión no cubre artículos que hayan sido sometidos a abusos o negligencia por parte del operador. Para poder gozar de la garantía en su totalidad, el operador debe mantener la limpiadora a presión según las indicaciones en el manual y guardarla en un lugar adecuado, tal como se indica en el capítulo *Almacenamiento*.

#### Antes de cada utilización

1. Limpie los desechos.
2. Verifique que la pantalla de entrada de agua no tenga suciedad y no esté dañada.
3. Verifique que la manguera a alta presión no tenga pérdidas.
4. Compruebe que la manguera de vapor no tenga pérdidas.
5. Compruebe que los tubos de los sifones de los tanques de detergente y de agua no estén dañados.
6. Verifique el funcionamiento de la pistola pulverizadora.
7. Compruebe el funcionamiento de la pistola de vapor.
8. Limpie el extremo de la pistola de vapor.

### MANTENIMIENTO DE LA LIMPIADORA A PRESIÓN

#### Limpieza de desechos

A diario, o antes de usarla, limpie los desechos acumulados en la limpiadora a presión eléctrica. Revise las ranuras y las entradas de aire de refrigeración adelante, atrás y abajo de la limpiadora a presión eléctrica. Estas aberturas deben estar limpias y sin obstrucciones.

Las piezas de la limpiadora a presión eléctrica deben mantenerse limpias para reducir el riesgo de sobrecalentamiento e incendio de desechos acumulados.

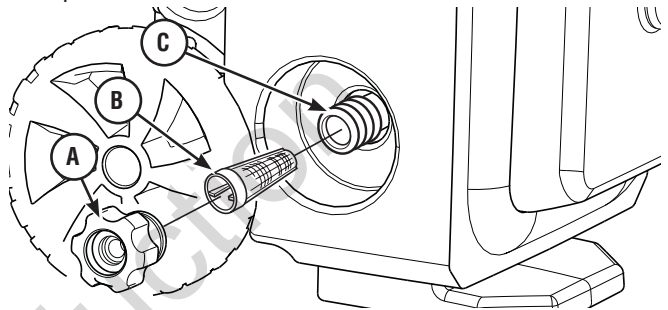
- Use un trapo húmedo para limpiar las superficies exteriores.

**AVISO** Si maneja inadecuadamente la limpiadora a presión eléctrica, podría dañarla y acortar su vida útil.

- NO inserte ningún objeto por las ranuras de enfriamiento.

#### Verificación y limpieza de la pantalla de entrada de agua

Quite el acoplamiento de la entrada de agua (A). Luego, retire la pantalla de entrada de agua (B) de la entrada de agua de la unidad (C) con alicates de punta aguja. La entrada de agua está ubicada en la parte inferior frontal de la unidad. Revise la pantalla de entrada de agua. Si está sucia, límpiela con un cepillo pequeño y con agua. Si la pantalla está dañada, reemplácela.



#### Revisión de la manguera a alta presión

La manguera a alta presión puede tener pérdidas a causa del desgaste, los nudos y el mal uso. Siempre revise la manguera antes de usarla. Compruebe que no haya cortes, fugas, abrasiones o bultos en la cubierta, y daños o movimientos de acopladores. Si ocurre algo de lo mencionado anteriormente, reemplace la manguera inmediatamente.

**⚠ ADVERTENCIA** El chorro de agua de alta presión que produce esta unidad podría generar cortes en la piel y tejidos subcutáneos, lo cual provocaría lesiones graves o una posible amputación.

- NUNCA repare la manguera a alta presión. Cámbiela.
- La potencia de la manguera reemplazada DEBE ser igual o superior a la presión máxima de la unidad.

#### Revise la manguera de vapor

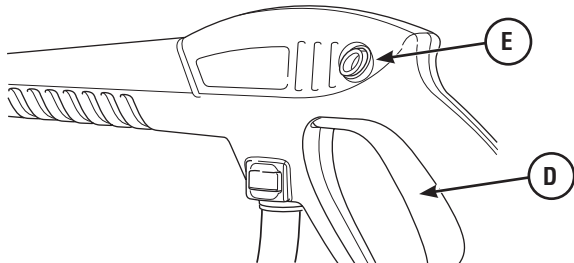
La manguera puede tener pérdidas a causa del desgaste, los nudos y el mal uso. Siempre revise la manguera antes de usarla. Compruebe que no tenga cortes, pérdidas ni abrasiones. En caso de que ocurriese algo de esto, póngase en contacto con el **1-800-222-3136** para obtener ayuda.

#### Revisión de los tubos de sifón de los tanques de detergente y de agua

Revise los tubos y límpielos si están tapados. Compruebe que los tubos no tengan pérdidas ni rajaduras.

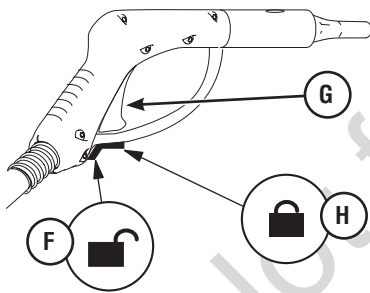
## Revisión de la pistola pulverizadora

Revise la conexión de la manguera a la pistola pulverizadora y asegúrese de que esté firme. Pruebe el gatillo (D). Para ello, presione el botón de bloqueo del gatillo (E) y asegúrese de que el gatillo vuelva a su posición, como si fuera un resorte, al soltarlo. No debería poder presionar el gatillo sin presionar antes el botón de bloqueo del gatillo. Si estas pruebas fallan, cambie inmediatamente la pistola pulverizadora.



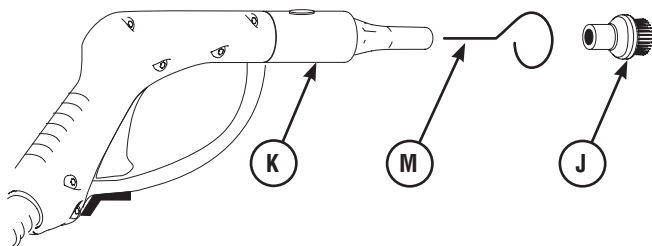
## Revisión de la pistola de vapor

Apriete el liberador del gatillo (F) para probar el gatillo y luego apriete el gatillo (G). Asegúrese de que el gatillo "salte" de nuevo a su posición cuando lo suelte. Presione la traba del gatillo (H). No tendría que poder presionar el gatillo. Si estas pruebas fallan, cambie inmediatamente la pistola pulverizadora.



## Limpie el extremo de la pistola de vapor

1. Coloque el interruptor principal de encendido/apagado en la posición central de apagado (O). Quite el enchufe del cable de alimentación de la salida eléctrica.
2. Espere diez minutos para que se enfríe la unidad.
3. Quite el cepillo (J) de la pistola (K). Inserte repetidamente el pequeño clip para papel (M) en la abertura pequeña de la boquilla para eliminar los sedimentos o desechos acumulados.



## Mantenimiento de la boquilla

Una presión excesiva en la bomba puede provocar una sensación de pulsación al apretar el gatillo de la pistola pulverizadora. El principal motivo de que haya presión excesiva en la bomba es que la boquilla esté tapada o limitada por materiales externos como la tierra. Una boquilla tapada podría hacer que la bomba se encienda y se apague, o que no se encienda, incluso cuando haya algo de flujo.

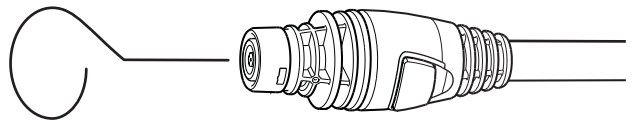
Para corregir el problema, use estas instrucciones para limpiar inmediatamente la boquilla:

1. Sitúe el interruptor principal en la posición OFF. Desconecte el enchufe del cable de alimentación de la toma eléctrica.
2. Desconecte el suministro de agua de la limpiadora a presión eléctrica.
3. SIEMPRE apunte la pistola pulverizadora hacia una dirección segura. Presione el botón de bloqueo del gatillo y apriete el gatillo de la pistola pulverizadora para liberar el agua a alta presión retenida.

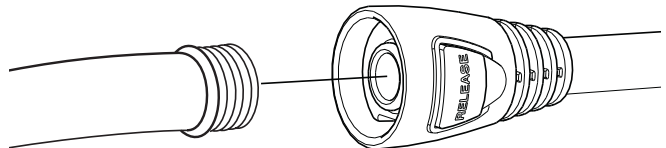
**⚠ ADVERTENCIA** El chorro de agua de alta presión que produce esta unidad podría generar cortes en la piel y tejidos subcutáneos, lo cual provocaría lesiones graves o una posible amputación. La pistola pulverizadora contiene agua a alta presión incluso cuando el motor está detenido y el suministro de agua desconectado. Esto podría provocar lesiones graves.

- Mientras el sistema esté presurizado, mantenga la manguera de alta presión conectada a la bomba y a la pistola pulverizadora.
- SIEMPRE apunte la pistola pulverizadora en una dirección segura, apriete el gatillo de la pistola para liberar la presión alta cada vez que apague la limpiadora a presión.

4. Remueva la punta de rocío del extremo de la varilla de plástico.
5. Utilice un pequeño clip para papel para eliminar el material extraño que obstruya alguna de las puntas de rociado.



6. Usando una manguera de jardín, remueva cualquier desecho adicional, poniendo agua en la varilla de plástico. Haga ésto de 30 a 60 segundos.



7. Instale de punta de rocío en la varilla de plástico.
8. Conecte de varilla de plástico a la pistola rociadora.
9. Asegúrese de que la manguera para jardín esté conectada a la entrada de agua. Verifique que la manguera a alta presión esté conectada a la pistola pulverizadora y a la bomba. Encienda el agua.



10. Enchufe el cable de alimentación en una salida eléctrica, sitúe el interruptor principal en la posición OFF (APAGADO).
11. Haga funcionar la limpiadora a presión eléctrica con la varilla para probarla.

### **Mantenimiento de la bomba y del motor**

La bomba y el motor de la limpiadora a presión eléctrica no requieren mantenimiento. Ambos conjuntos están prelubricados y sellados, y no es necesario volver a lubricarlos.

### **DESPUÉS DE CADA USO**

El agua no debería permanecer durante mucho tiempo en la unidad. Los sedimentos o los minerales pueden depositarse en las piezas de la bomba y "congelar" su funcionamiento. Después de cada uso, siga estos procedimientos:

1. Sitúe el interruptor principal en la posición OFF. Desconecte el enchufe del cable de alimentación de la toma eléctrica.
2. Corte el agua, apunte la pistola hacia una dirección segura, presione el botón de bloqueo del gatillo y apriete el gatillo para liberar la presión atrapada.
3. Desconecte la manguera para jardín del suministro de agua y de la limpiadora a presión eléctrica.
4. Desconecte la manguera de la pistola pulverizadora y de la salida de alta presión de la bomba. Drene el agua de la manguera, de la pistola y de la varilla. Utilice un trapo para limpiar la manguera.
5. Drene el agua de la bomba. Para ello, dé la vuelta a la unidad desde su parte delantera (la entrada de agua debe quedar hacia abajo).
6. Enrolle el cable de alimentación eléctrica y almacénelo en la parte posterior de la unidad.
7. Enrolle la manguera a alta presión en el carrete de la manguera.
8. Guarde la unidad en una zona limpia y seca.
9. En caso de mantenerla guardada durante más de treinta días, lea la sección *Almacenamiento en invierno o durante largos períodos*, en la página siguiente.

## **ALMACENAMIENTO**

### **ALMACENAMIENTO EN INVIERNO O DURANTE LARGOS PERÍODOS**

El agua no debería permanecer durante mucho tiempo en la unidad. Los sedimentos o los minerales pueden depositarse en las piezas de la bomba y "congelar" su funcionamiento.

#### **Procedimientos iniciales de almacenamiento**

1. Haga funcionar la limpiadora a presión eléctrica con el rociado a alta presión. Realice la limpieza durante uno o dos minutos.
2. Sitúe el interruptor principal en la posición OFF. Desconecte el enchufe del cable de alimentación de la toma eléctrica.

3. Desconecte el suministro de agua. Apunte la pistola hacia una dirección segura, presione el botón de bloqueo del gatillo y apriete el gatillo para liberar la presión atrapada. Espere un momento y suelte el gatillo de la pistola pulverizadora.
4. Desconecte la manguera para jardín del suministro de agua y de la limpiadora a presión eléctrica. Desconecte la manguera a presión de la bomba y de la pistola pulverizadora.
5. Drene el agua de las mangueras y la pistola pulverizadora; luego utilice un trapo o algo similar para limpiar las superficies externas.
6. Asegúrese de que las mangueras de entrada y salida estén desconectadas de la bomba. Drene el agua de la bomba. Para ello, dé la vuelta a la unidad desde su parte delantera (la entrada de agua debe quedar hacia abajo).

**AVISO** Si quedara agua en la bomba, esta podría congelarse y dañar la bomba.

### **Protección de la bomba**

Para proteger la bomba de daños provocados por depósitos de minerales o congelamiento, utilice la PumpSaver, modelo 74403, para tratar la bomba. Esto evita daños por congelamiento y lubrica el pistón y los cierres.

**AVISO** La PumpSaver está disponible como un accesorio opcional. No viene incluida con la limpiadora a presión eléctrica. Para comprar la PumpSaver, póngase en contacto con el centro de mantenimiento autorizado más cercano.

**AVISO** Debe proteger la unidad de temperaturas extremadamente bajas.

- Si no lo hace, le causará un daño permanente a la bomba y la unidad quedará inservible.
- La garantía no cubre daños por congelamiento.

Para utilizar la PumpSaver, asegúrese de que la limpiadora a presión eléctrica esté apagada y que las mangueras de entrada y salida estén desconectadas. Lea y siga todas las instrucciones y advertencias que aparecen en la caja de la PumpSaver.

### **Procedimientos para el almacenamiento final**

1. Enrolle el cable de alimentación eléctrica y almacénelo en la parte posterior de la unidad.
2. Enrolle la manguera a alta presión en el carrete de la manguera.
3. Guarde la pistola pulverizadora y los accesorios en la bandeja para accesorios.
4. Guarde la unidad en un área limpia y seca que esté protegida contra las bajas temperaturas.
5. Cubra la unidad con una manta protectora apropiada que no retenga la humedad.

## RESOLUCIÓN DE PROBLEMAS

Problema	Causa	Solución
<b>La bomba tiene los siguientes problemas: no genera presión, presión errática, vibración, pérdida de presión, bajo volumen de agua.</b>	<ol style="list-style-type: none"> <li>1. La entrada de agua está bloqueada.</li> <li>2. Suministro de agua inadecuado.</li> <li>3. La manguera para jardín está enroscada o tiene pérdidas.</li> <li>4. Revise la pantalla de entrada de agua.</li> <li>5. El suministro de agua supera los 100 °F (38 °C).</li> <li>6. La manguera a alta presión está obstruida o pierde.</li> <li>7. La punta de rocío está tapada.</li> <li>8. Falla la bomba.</li> </ol>	<ol style="list-style-type: none"> <li>1. Libere la entrada.</li> <li>2. Proporcione un flujo de agua adecuado.</li> <li>3. Estire la manguera para jardín o reemplácela si pierde.</li> <li>4. Revise y limpie la pantalla de entrada de agua.</li> <li>5. Proporcione un suministro de agua más fresca.</li> <li>6. Libere las obstrucciones en la manguera a alta presión o reemplace la manguera.</li> <li>7. Limpie la punta de rocío.</li> <li>8. Póngase en contacto con el centro de servicio técnico de Sears.</li> </ol>
<b>La unidad no se enciende cuando se aprieta el gatillo de la pistola pulverizadora.</b>	<ol style="list-style-type: none"> <li>1. El suministro de agua no está encendido.</li> <li>2. La unidad no está encendida.</li> <li>3. La manguera para jardín es demasiado larga.</li> </ol>	<ol style="list-style-type: none"> <li>1. Encienda el suministro de agua.</li> <li>2. Coloque el interruptor principal de la limpiadora a presión en la posición de WASH (LAVAR). Reinicie el GFCI.</li> <li>3. Utilice una manguera para jardín de 50 ft (15,24 m) como máximo.</li> </ol>
<b>El detergente no se mezcla con el pulverizador.</b>	<ol style="list-style-type: none"> <li>1. El tubo del sifón está tapado o rajado.</li> <li>2. El tubo del sifón no está insertado por completo en el tanque de detergente.</li> <li>3. Punta de rocío para alta presión instalado.</li> </ol>	<ol style="list-style-type: none"> <li>1. Limpie el tubo del sifón.</li> <li>2. Inserte el tubo del sifón para que el extremo haga contacto con el fondo del tanque de detergente.</li> <li>3. Reemplácelo por el punta de rocío para baja presión.</li> </ol>
<b>La función de vapor no funciona.</b>	<ol style="list-style-type: none"> <li>1. La función de vapor no está encendida.</li> <li>2. No hay agua en el tanque de agua.</li> <li>3. La manguera del sifón está cortada o tiene pérdidas.</li> <li>4. La manguera del sifón no está insertada por completo en el tanque de agua.</li> <li>5. El gatillo está bloqueado.</li> </ol>	<ol style="list-style-type: none"> <li>6. Coloque el interruptor principal de la limpiadora a presión en la posición de STEAM (VAPOR).</li> <li>7. Llene el tanque de agua con agua destilada limpia.</li> <li>8. Revise la manguera del sifón y cámbiela si tiene fallas.</li> <li>9. Inserte la manguera del sifón para que el extremo haga contacto con el fondo del tanque de agua.</li> <li>10. Destrabe el gatillo.</li> </ol>

Not for  
Reproduction

# CRAFTSMAN®

**Product questions or problems?**

# 1-888-331-4569

## Customer Care Hot Line

**Get answers to questions, troubleshoot problems,  
order parts, or schedule repair service.**

Para respuestas a preguntas o problemas, y ordenar  
piezas o pedir servicio para la reparación de su equipo.

**To help us help you, register your product at [www.craftsman.com/registration](http://www.craftsman.com/registration)**

Para poderte ayudar mejor, registra tu producto en [www.craftsman.com/registration](http://www.craftsman.com/registration)

---

**Join the Craftsman Club today!**

# CRAFTSMAN® CLUB

**[www.craftsman.com/signup](http://www.craftsman.com/signup)**

**Receive exclusive member benefits including special pricing and offers,  
project sharing, expert advice, and SHOP YOUR WAY REWARDS!**

Como miembro exclusivo, recibe diversos beneficios como ofertas, precios especiales, proyectos nuevos, consejos de expertos y nuestro programa de puntos SHOP YOUR WAY REWARDS!